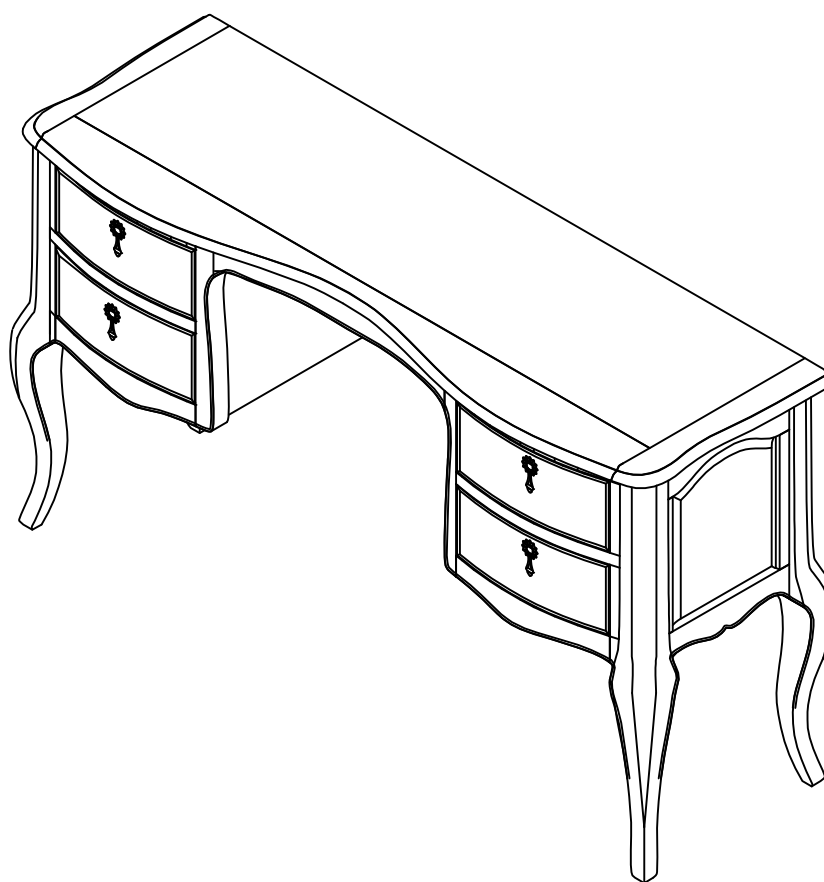


feather&black

Salcombe Dressing Table - Assembly Instruction

Product size

H80 x L50 x W155 cm



If you require any advice during assembly, please call our customer service team on
01243 380600

Please retain these assembly instruction for future use

feather&black

Salcombe Dressing Table - Assembly Instruction

Before you start

Thank you for purchasing this Salcombe Dressing Table

Please read these instructions fully prior to assembly to familiarise yourself with the various stages of construction. Carefully open all packs supplied and check the contents against the parts and fittings check list.

Do not destroy any of the packaging until you are certain that you have all the necessary parts for the assembly.

This item is heavy once assembled. Please try to assemble the item as close as possible to the point of use. Take care when moving the item to avoid personal injury or damage to the product and always lift rather than drag.

There are small components used in the construction of this furniture as well as plastic packaging, these should be kept away from young children whilst assembling.

Product Safety

All assembly fastenings should always be tightened properly, and care should be taken to ensure that no fittings are loose.

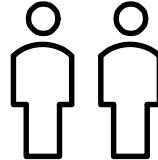
Periodically check and ensure that all components are in their proper position, free from damage, and that all connectors are tight.

Please note depending on the lighting, positioning and surroundings of your room, the shade of the colour can sometimes appear slightly different. Over a period of time the colour might lighten or fade slightly due to light exposure.

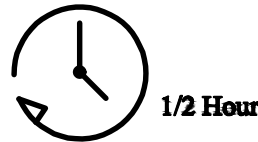
Product Care

To clean, slightly moisten cloth with water and wipe surfaces. A damp cloth holds dust and prevents damage. repeat with a dry, soft, lint-free cloth. Do not use abrasives or cleaning products which may contain ammonia or solvents.

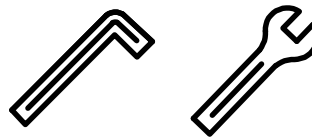
Number of people required to assemble
One people to assemble the product and two people to lift in to position.



Time to assemble



Necessary tools

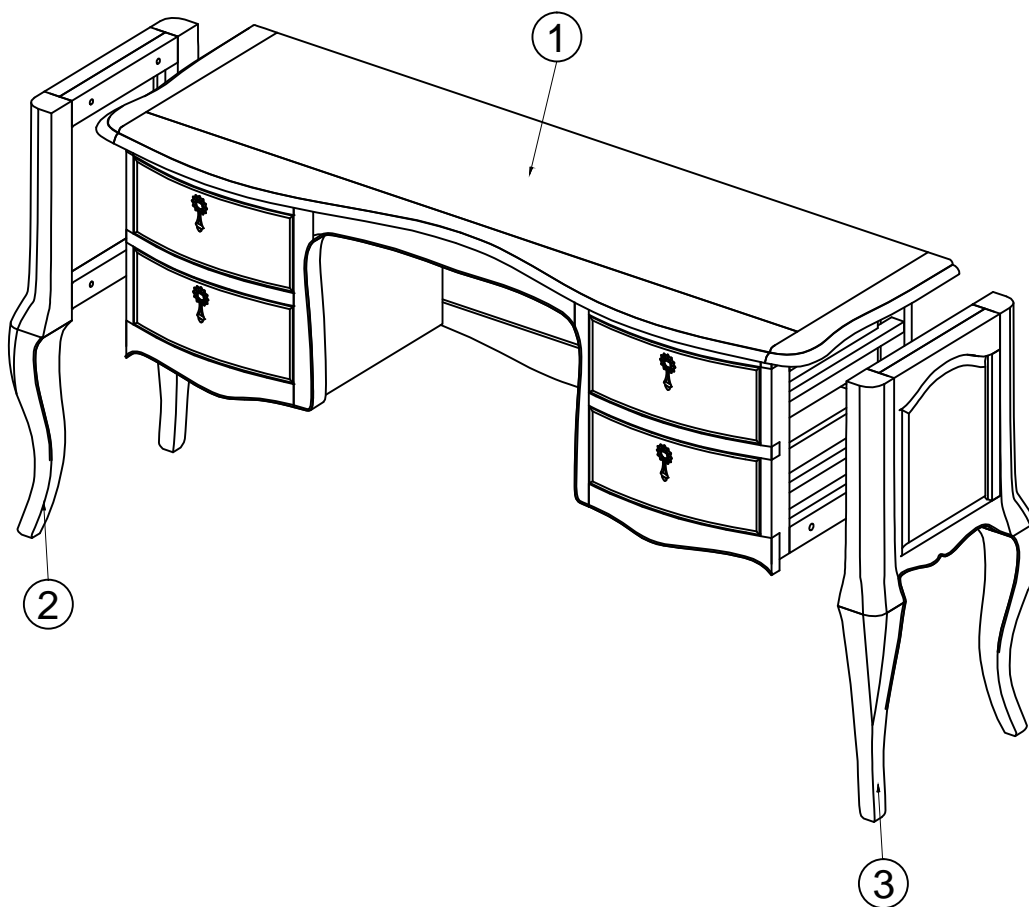


Missing parts or faulty products
If you are missing any fixtures or fittings during assembly, or a part is unfortunately faulty please call our customer service team on 01243380600

feather&black

Salcombe Dressing Table - Assembly Instruction

Components supplied (not actual size)



(1) : Table Top Qty : x1 PC

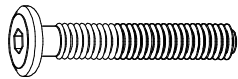
(2) : Left of Leg Frame Qty : x1 PC

(3) : Right of Leg Frame Qty : x1 PC

feather&black

Salcombe Dressing Table - Assembly Instruction

Fixtures and fittings supplied (not actual size)



(A) : Allen Bolt
M8 x 50mm
Qty : x 8



(B) : Spring Washer
Ø14 x 2mm
Qty : x 8



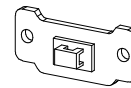
(C) : Flat Washer
Ø18 x 2mm
Qty : x 8



(D) : Allen Key
Qty : x 2



(E) : Plastic Anchors
(Ø4*35mmL)
Qty : x 4



(F) : Hanger tip kid
Qty : x 4



(G) : Screw
M4x35mm
Qty : x 4



(H) : Screw
M4x15mm
Qty : x 4



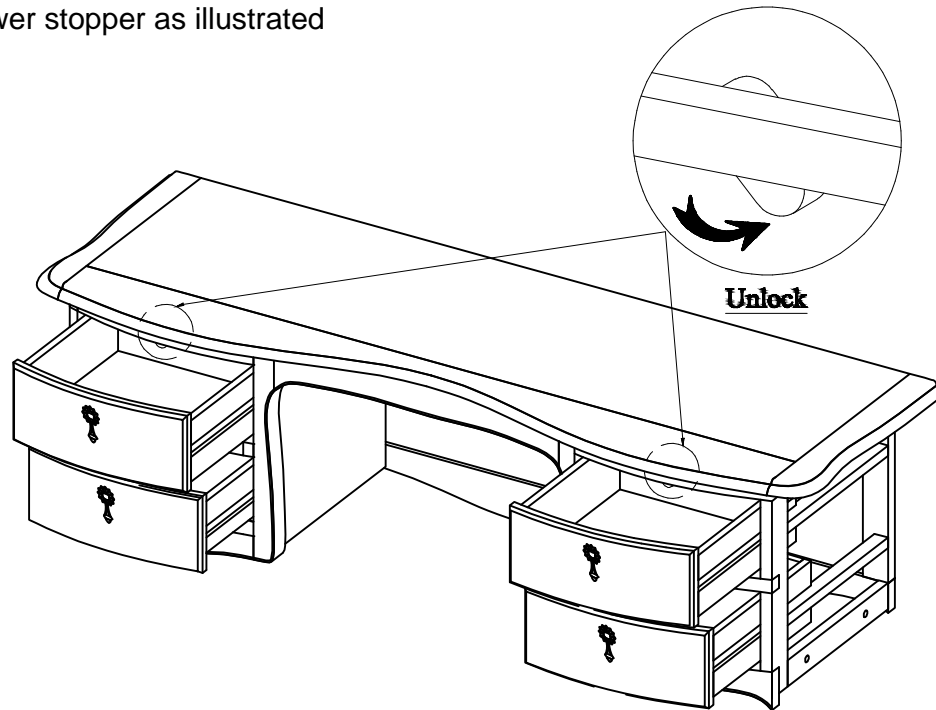
(K) : Key brass
Qty : x 2



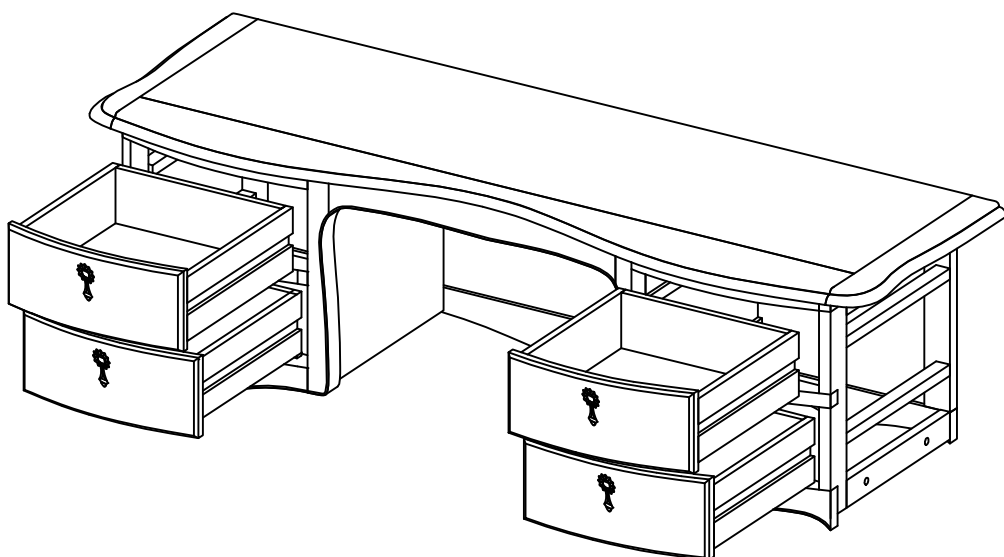
feather&black

Salcombe Dressing Table - Assembly Instruction

Step 1 : Pull out to drawer access the drawer stopper, unlock drawer stopper as illustrated



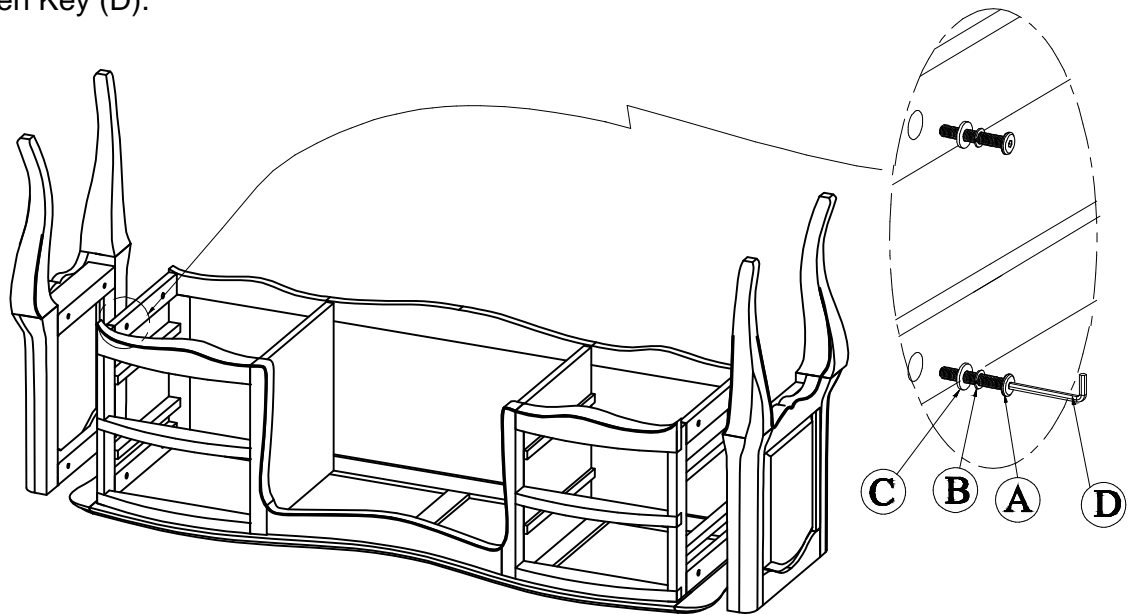
Step 2 : Pulling out all drawers



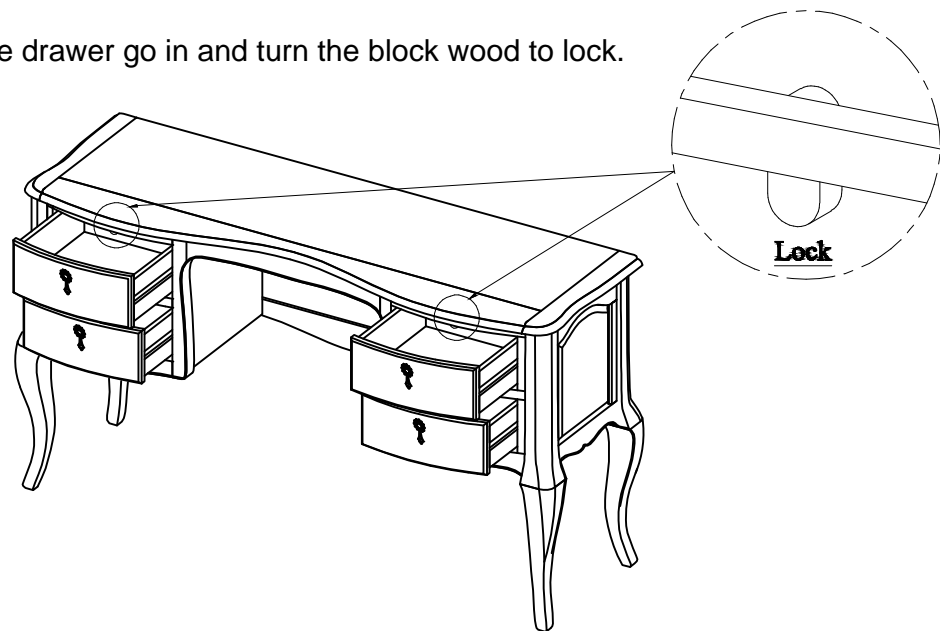
feather&black

Salcombe Dressing Table - Assembly Instruction

Step 3 : Place the Table Top (1) upside down on a piece of cloth or carpet to prevent finish from scratching. Attach the Leg Frame (2) to the each corner of the Table Top (1) by using Spring Washer (B) Flat Washer (C). Allen Bolt (A) and fully tighten all Bolts by using Allen Key (D).



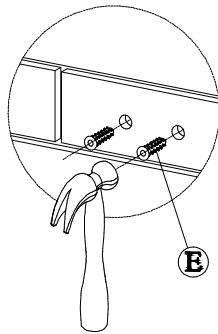
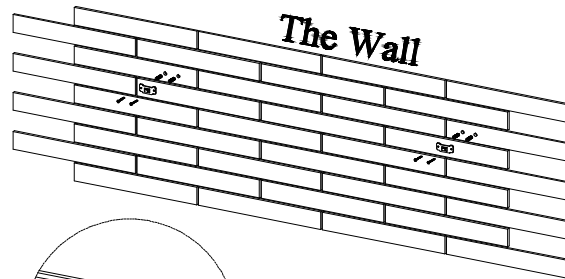
Step 4 : Put in the drawer go in and turn the block wood to lock.



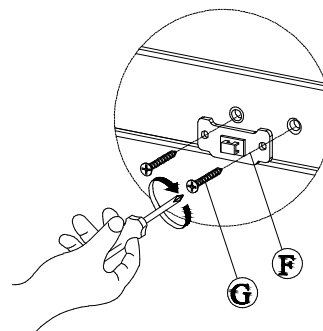
feather&black

Salcombe Dressing Table - Assembly Instruction

Step 5 :

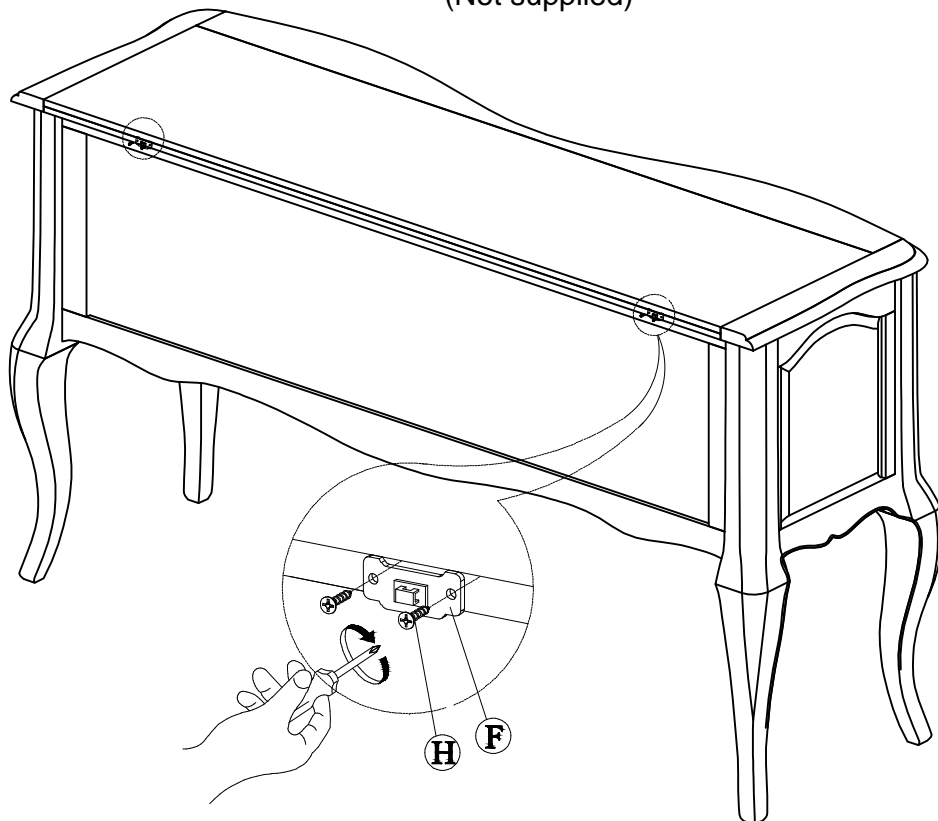


Hammer
(Not supplied)



Screw driver
(Not supplied)

Step 6 :



Screw driver
(Not supplied)

feather&black

Salcombe Dressing Table - Assembly Instruction

Step 7 :

