

feather & black

Aubrey Half Moon Bedstead

IMPORTANT READ CAREFULLY – RETAIN FOR FUTURE REFERENCE

Thank you for buying the Aubrey Bedstead

PRODUCT CARE

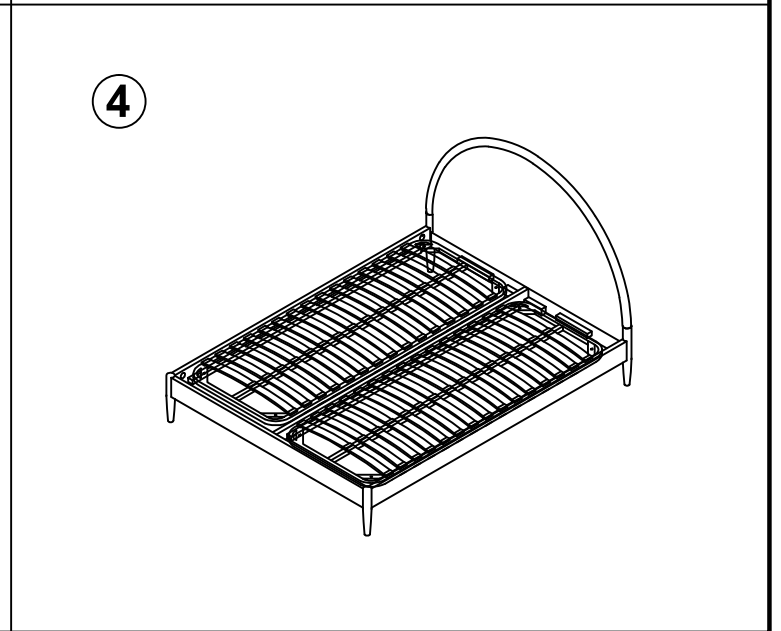
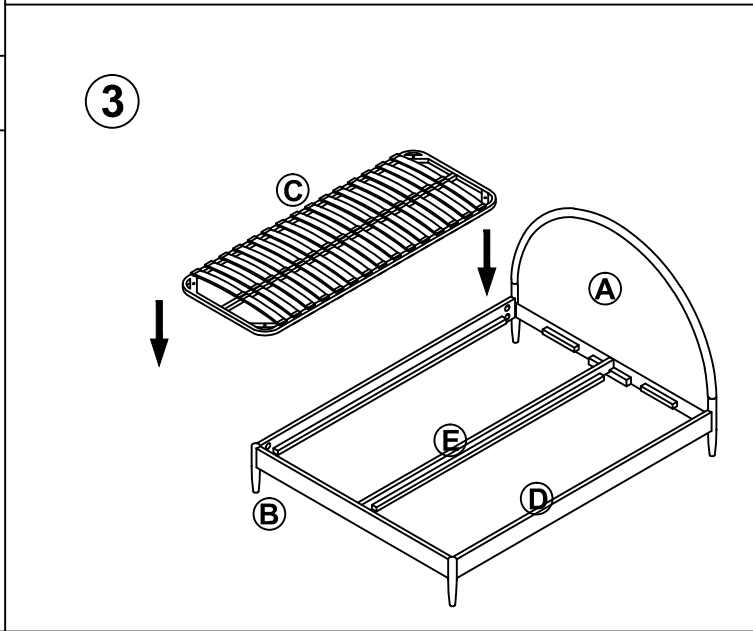
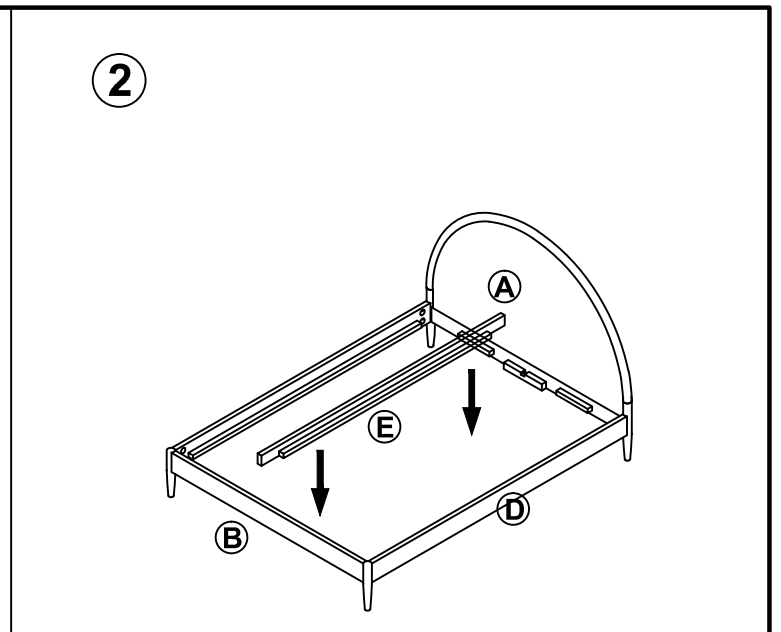
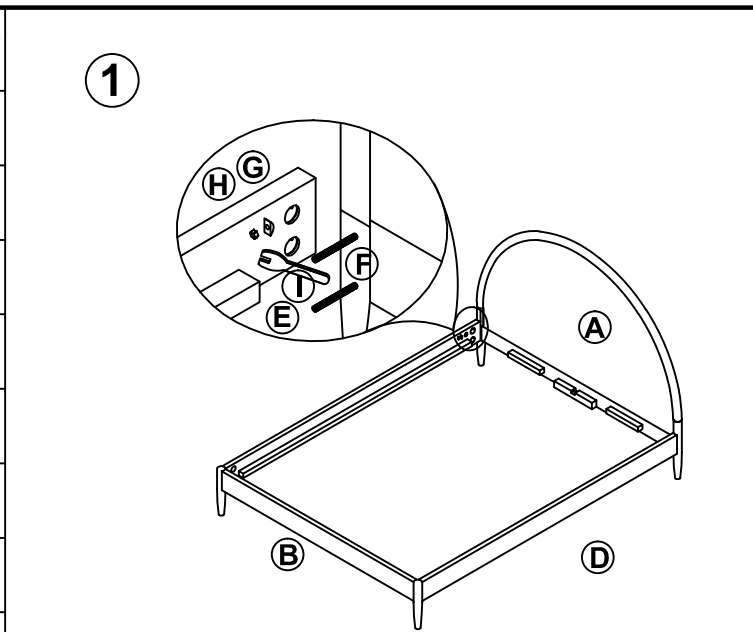
- Wipe clean using a soft damp cloth followed by dry cloth
- Do not use abrasives or cleaning products which may contain ammonia or solvents
- Take care when handling or moving the furniture. Careless handling can damage wooden furniture, try to lift rather than drag
- The fabric is dry clean only and spot clean only

feather & black

ASSEMBLY INSTRUCTIONS

Aubrey Half Moon Bedstead PAGE 1 OF 1

	PARTS	Q'TY
A		1PC
B		1PC
C		2PCS
D		2PCS
E		1PC
F	$\phi 3/8" * 80\text{mm}$	8PCS
G		8PCS
H	8M	8PCS
I	(M6)	1PC



DO NOT MOVE THE BED
IF WITHOUT SLATS