

feather&black

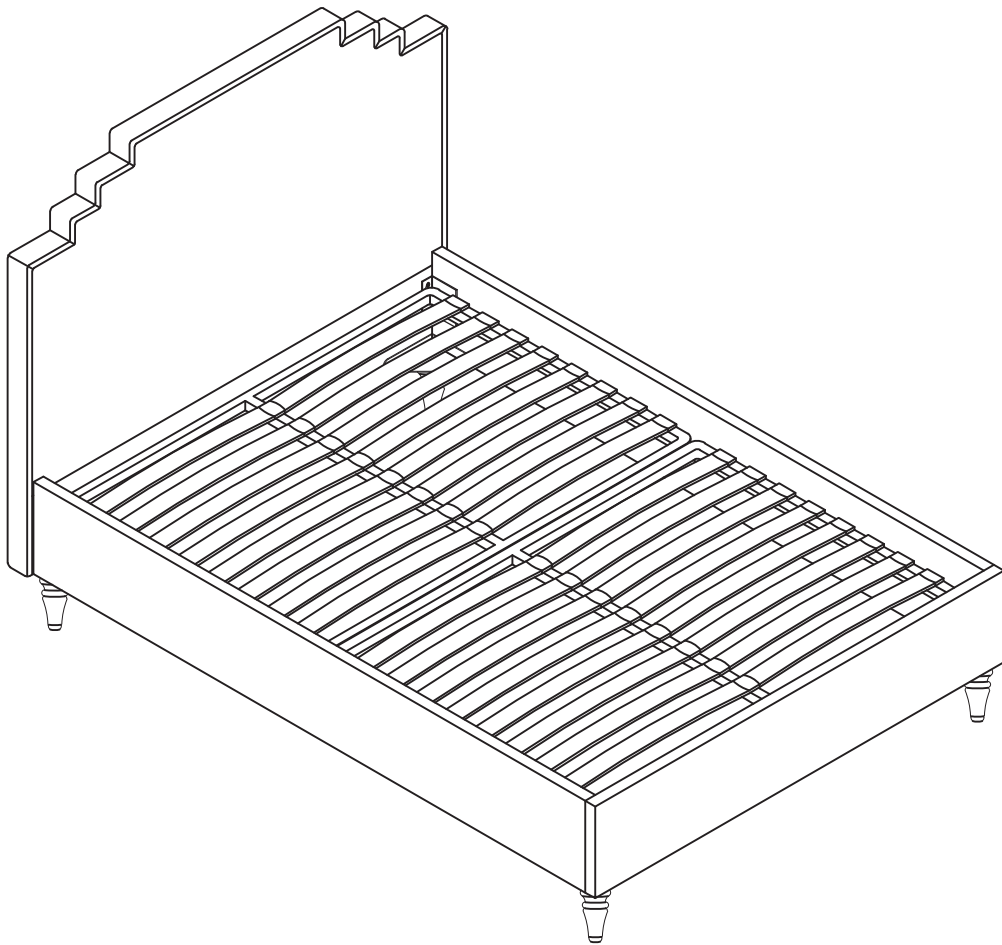
Wooster Bed Frame

Product size: H x L x W (mm)

Double: 1320 x 2050 x 1480

King: 1320 x 2150 x 1630

Super King: 1320 x 2150 x 1930



feather&black

Wooster Bed Frame

Before you start

Thank you for purchasing the Cambourne Bed Frame.

Please read these instructions fully prior to assembly to familiarise yourself with the various stages of construction. Carefully open all packs supplied and check the contents against the parts and fittings check list. Do not destroy any of the packaging until you are certain that you have all the necessary parts for the assembly.

This item is heavy once assembled. Please try to assemble the item as close as possible to the point of use. Take care when moving the item to avoid personal injury or damage to the product and always lift rather than drag.

There are small components used in the construction of this furniture as well as plastic packaging, these should be kept away from young children whilst assembling.

Product Safety

All assembly fastenings should always be tightened properly and care should be taken to ensure that no fittings are loose.

Periodically check and ensure that all components are in their proper position, free from damage, and that all connectors are tight.

Please note depending on the lighting, positioning and surroundings of your room, the shade of the colour can sometimes appear slightly different. Over a period of time the colour might lighten or fade slightly due to light exposure.

Product Care

To clean, slightly moisten cloth with water and wipe surfaces. A damp cloth holds dust and prevents damage. repeat with a dry, soft, lint-free cloth or, if fabric, remove dust using a low suction vacuum cleaner.

Do not use abrasives or cleaning products which may contain ammonia or solvents as they will damage the finish.

Number of people required to assemble

Two people to assemble the product and two people to lift in to position.

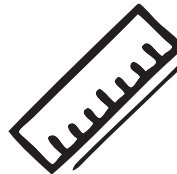


Time to assemble

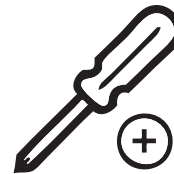


1 hour approx
assembly time

Necessary tools



Tape measure



Cross head
screwdriver

Missing parts or faulty products

If you are missing any fixtures or fittings during assembly, or a part is unfortunately faulty please call our customer service team on 01243 380600

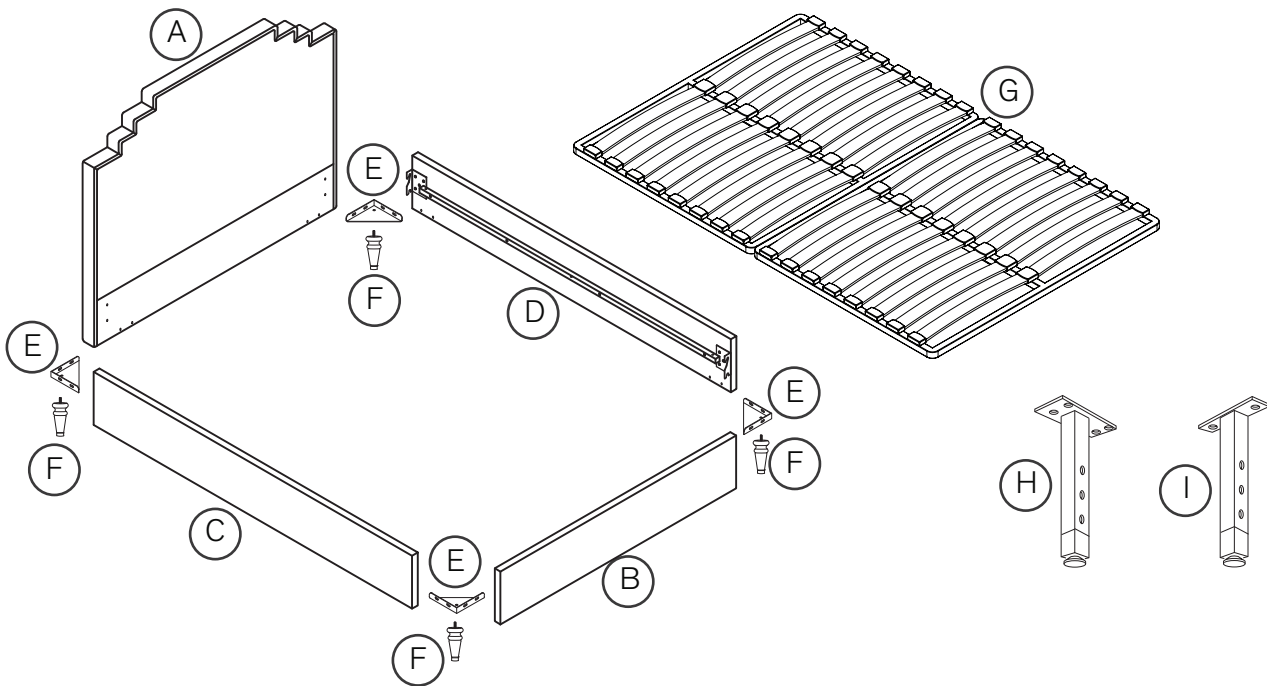
feather&black

Wooster Bed Frame

Parts

Important information

The bed you have purchased comes with sprung slats, please follow the instructions below in the current order. The metal frame & slats (G), the support legs (H&I) and support leg bolts (p) are packed in the sprung slat frame carton that is supplied as a separate pack.

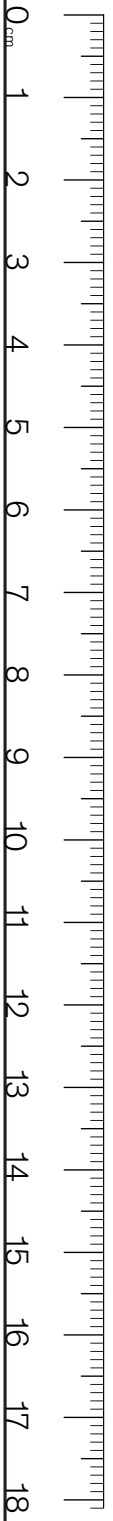


Parts list

A.	Headboard	1
B.	Footboard	1
C.	Side Rail - LH	1
D.	Side Rail - RH	1
E.	Metal Corner Brackets	4
F.	Legs	4

These parts are supplied in the Sprung Frame Carton

G.	Sprung Slat Frame	1
H.	Sprung Slat Frame Centre Support Leg	1
I.	Sprung Slat Frame Outer Support Legs	2

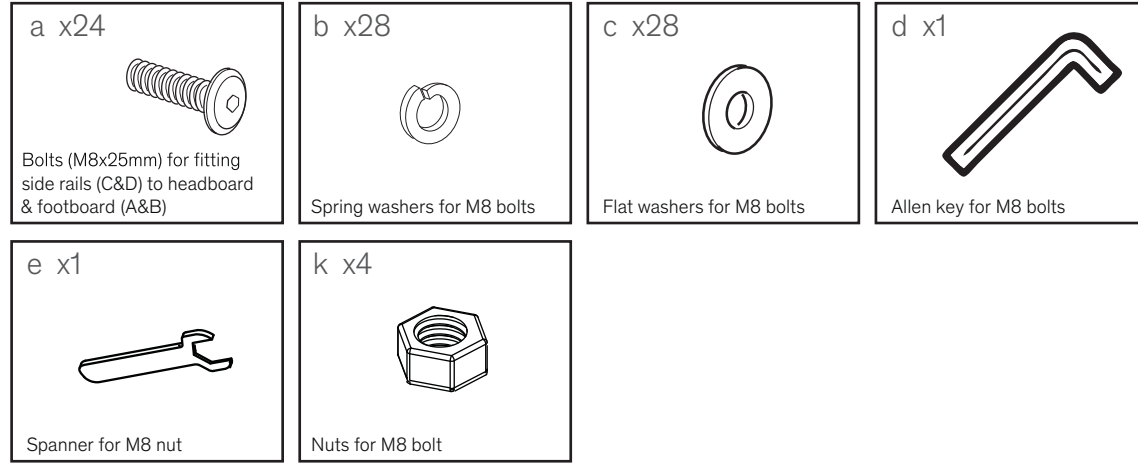


feather&black

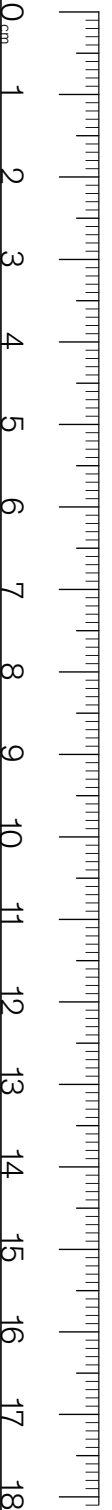
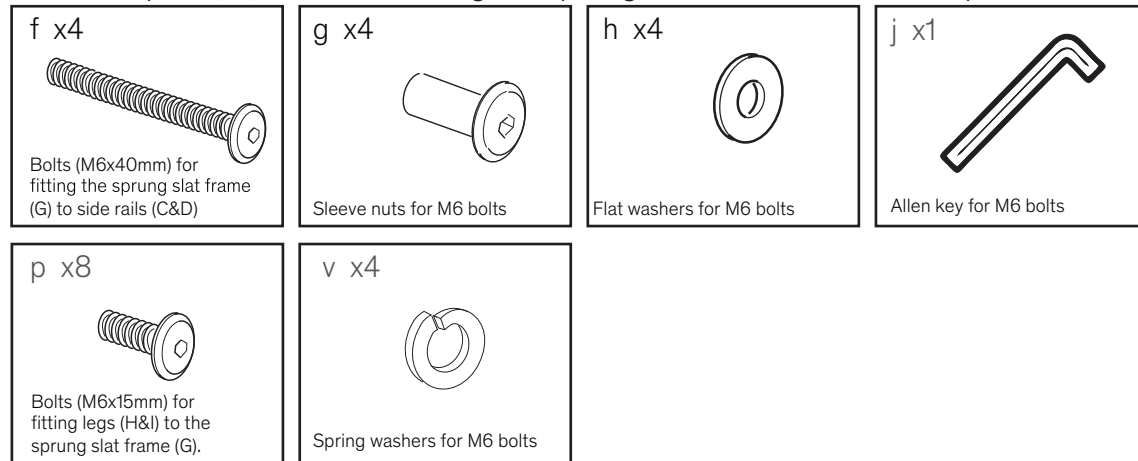
Wooster Bed Frame

Fixture and fitting supplied (not actual size)

Hardware pack (A) needed for fixing side rails and legs (F) to headboard & footboard packed in side rail pack, 2 of 2



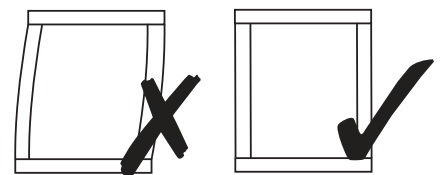
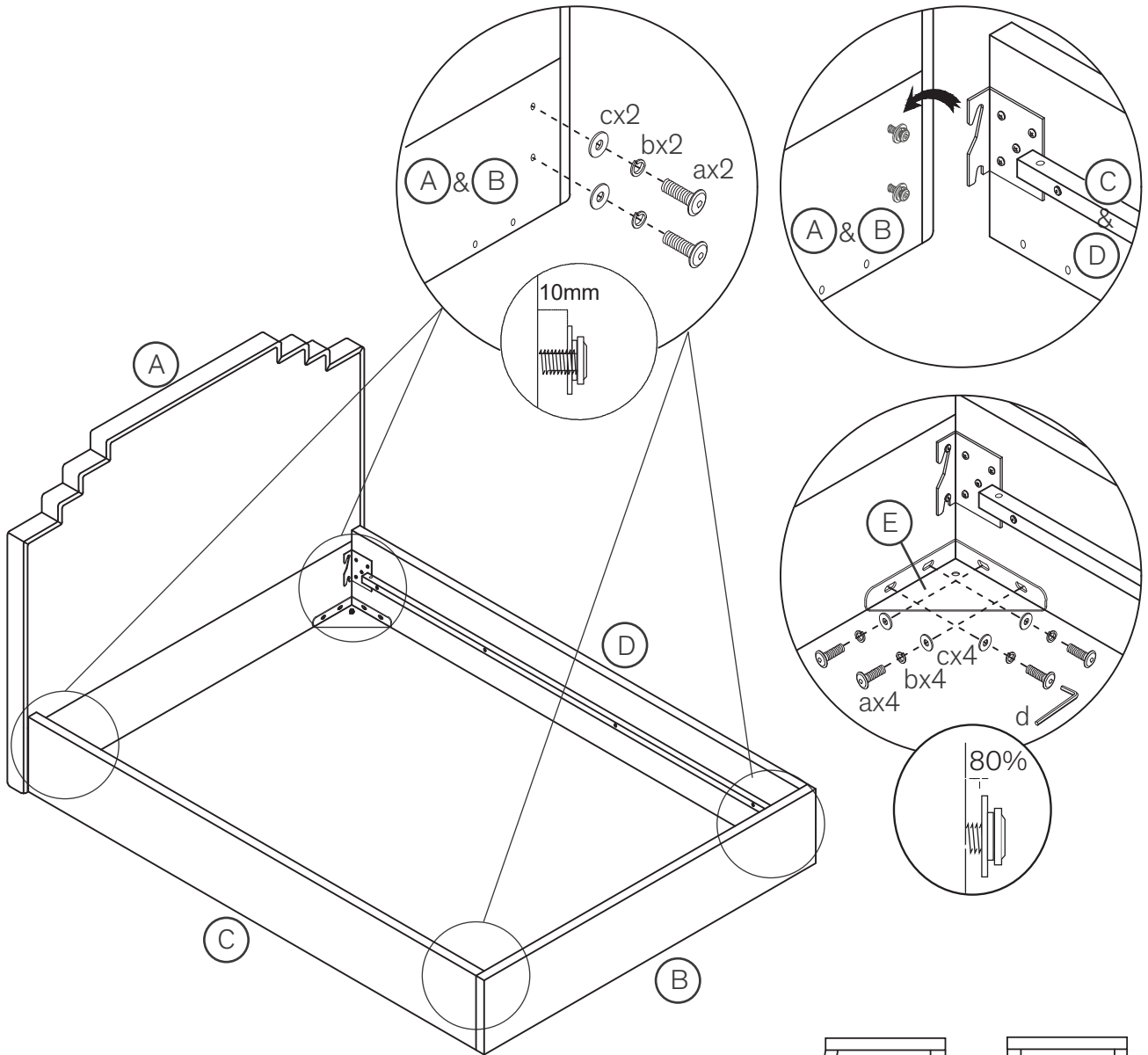
Hardware pack (B) needed for fixing the sprung slat frame to side rails - packed in side rail pack, 2 of 2



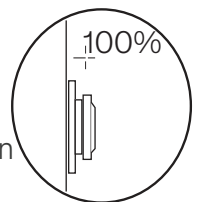
feather&black

Wooster Bed Frame

1.



Make certain the bed is squared up as shown in the diagram then tighten all bed assembly bolts 100%.



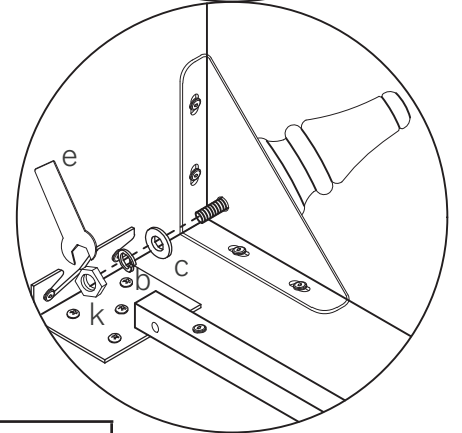
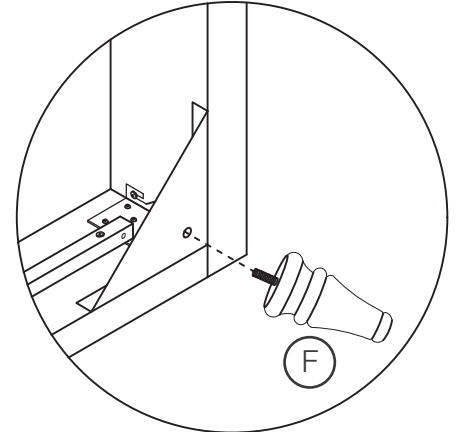
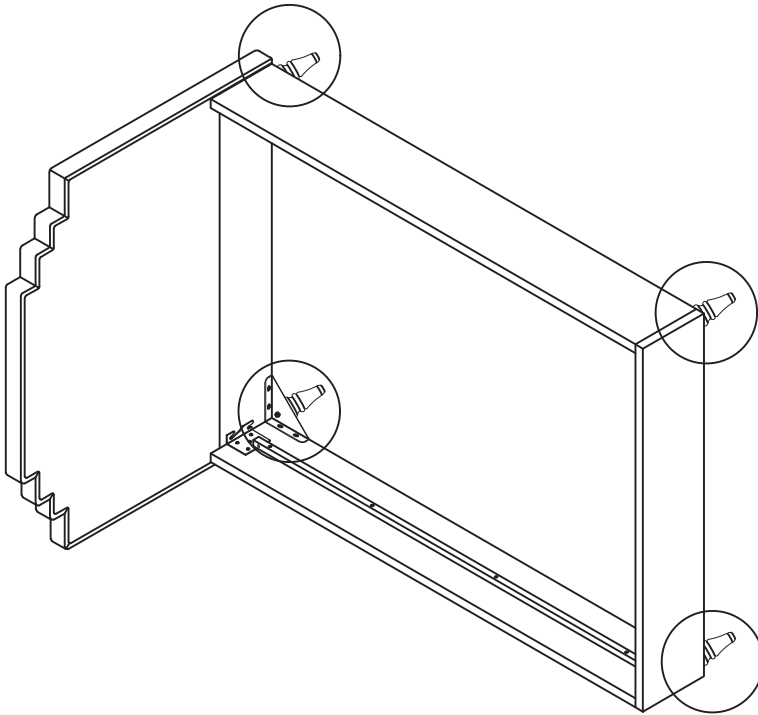
<p>a</p> <p>x24</p>	<p>b</p> <p>x24</p>	<p>c</p> <p>x24</p>	<p>d</p> <p>x1</p>
---------------------	---------------------	---------------------	--------------------





feather&black

Wooster Bed Frame

2.

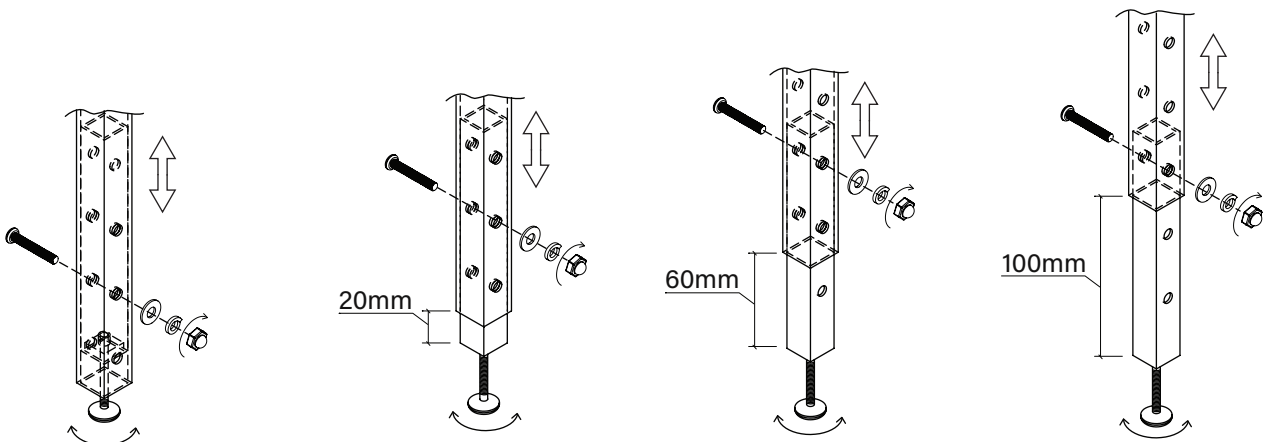
Carefully turn bed on it's side making sure it is lifted evenly without twisting. Screw in the legs and then with help, lift the bed into mid-air, turn it 90 degrees, then lower all four legs onto the floor at the same time. This is to prevent the whole weight of the bed damaging the legs.



b	 x4	c	 x4	e	 x1	k	 x4
---	--	---	--	---	--	---	---

3.

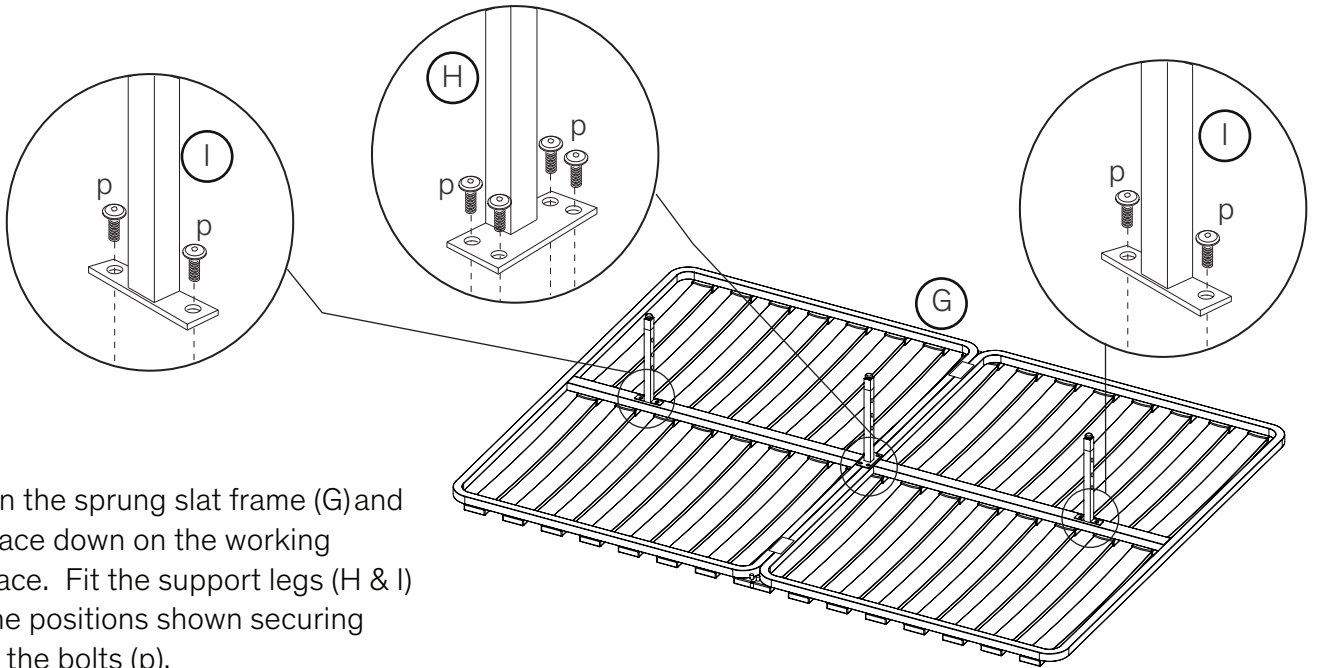
1. The support legs each have four adjustable parts that need to be set to suit the height of the bed slat frame. Please adjust the height of each leg by selecting the correct hole and inserting the bolts and nuts as shown.
2. You can fine-tune the height of each leg by screwing the adjustable foot in or out so it just touches the floor.



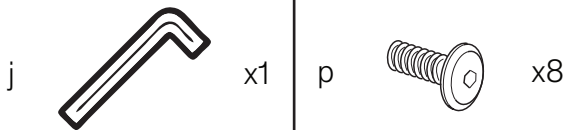
feather&black

Wooster Bed Frame

4.

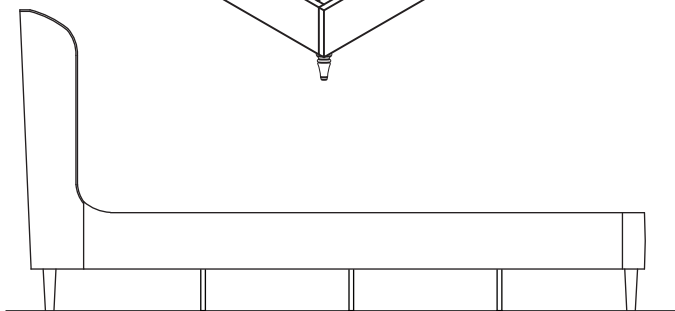
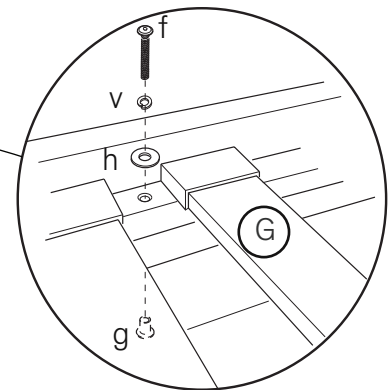
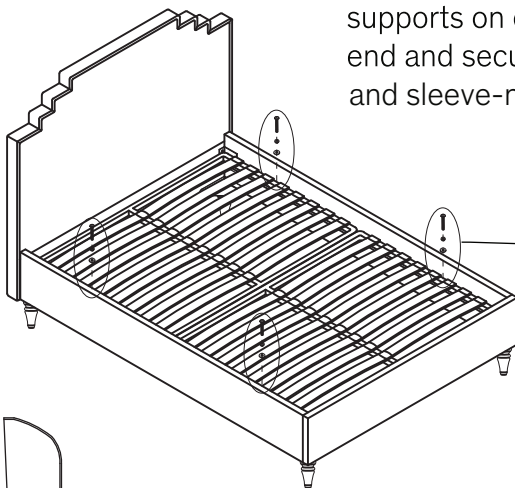


Open the sprung slat frame (G) and lay face down on the working surface. Fit the support legs (H & I) to the positions shown securing with the bolts (p). Fully tighten using Allen key (j).



5.

Carefully turn the frame over and position evenly onto the metal slat supports on each side rail. Align the frame with the fixing holes at each end and secure using four sets of bolts (f), spring washers (v), flat washers (h) and sleeve-nuts (g). When all in place tighten using Allen key (j).



Finally, please check carefully that all bolts are fully tightened before the bed is used.



feather&black

Wooster Bed Frame

Technical Specifications

Overall Dimensions (LWH mm)

Double: 2050 x 1480 x 1320

King: 2150 x 1630 x 1320

Super King: 2150 x 1930 x 1320

Internal Dimensions (LW mm)

Double: 1930 x 1380

King: 2030 x 1530

Super King: 2030 x 1830

Distance between slats (mm)

Double: 47

King: 52

Super King: 52

Slat Dimensions (LWH mm)

Double: 675 x 60 x 9

King: 750 x 60 x 9

Super King: 595 x 60 x 9

