

# feather&black

## Casterton 6 Drawer Wide Chest - Assembly Instruction

Product size

H83.8 x L120 x W40.5 cm



If you require any advice during assembly, please call our customer service team on  
01243 380600

**Please retain these assembly instructions for future use**

# feather&black

## Casterton 6 Drawer Wide Chest - Assembly Instruction

### Before you start

Thank you for purchasing this Casterton 6 Drawer Wide Chest

Please read these instructions fully prior to assembly to familiarise yourself with the various stages of construction. Carefully open all packs supplied and check the contents against the parts and fittings check list.

Do not destroy any of the packaging until you are certain that you have all the necessary parts for the assembly.

This item is heavy once assembled. Please try to assemble the item as close as possible to the point of use. Take care when moving the item to avoid personal injury or damage to the product and always lift rather than drag.

There are small components used in the construction of this furniture as well as plastic packaging, these should be kept away from young children whilst assembling.

#### Product Safety

All assembly fastenings should always be tightened properly, and care should be taken to ensure that no fittings are loose.

Periodically check and ensure that all components are in their proper position, free from damage, and that all connectors are tight.

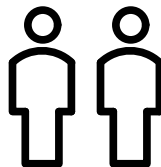
Please note depending on the lighting, positioning and surroundings of your room, the shade of the colour can sometimes appear slightly different. Over a period of time the colour might lighten or fade slightly due to light exposure.

#### Product Care

To clean, slightly moisten cloth with water and wipe surfaces. A damp cloth holds dust and prevents damage. repeat with a dry, soft, lint-free cloth. Do not use abrasives or cleaning products which may contain ammonia or solvents.

#### Number of people required to assemble

One people to assemble the product and two people to lift in to position.

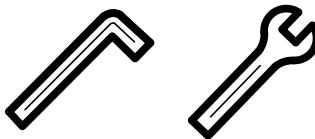


#### Time to assemble



1/2 Hour

#### Necessary tools



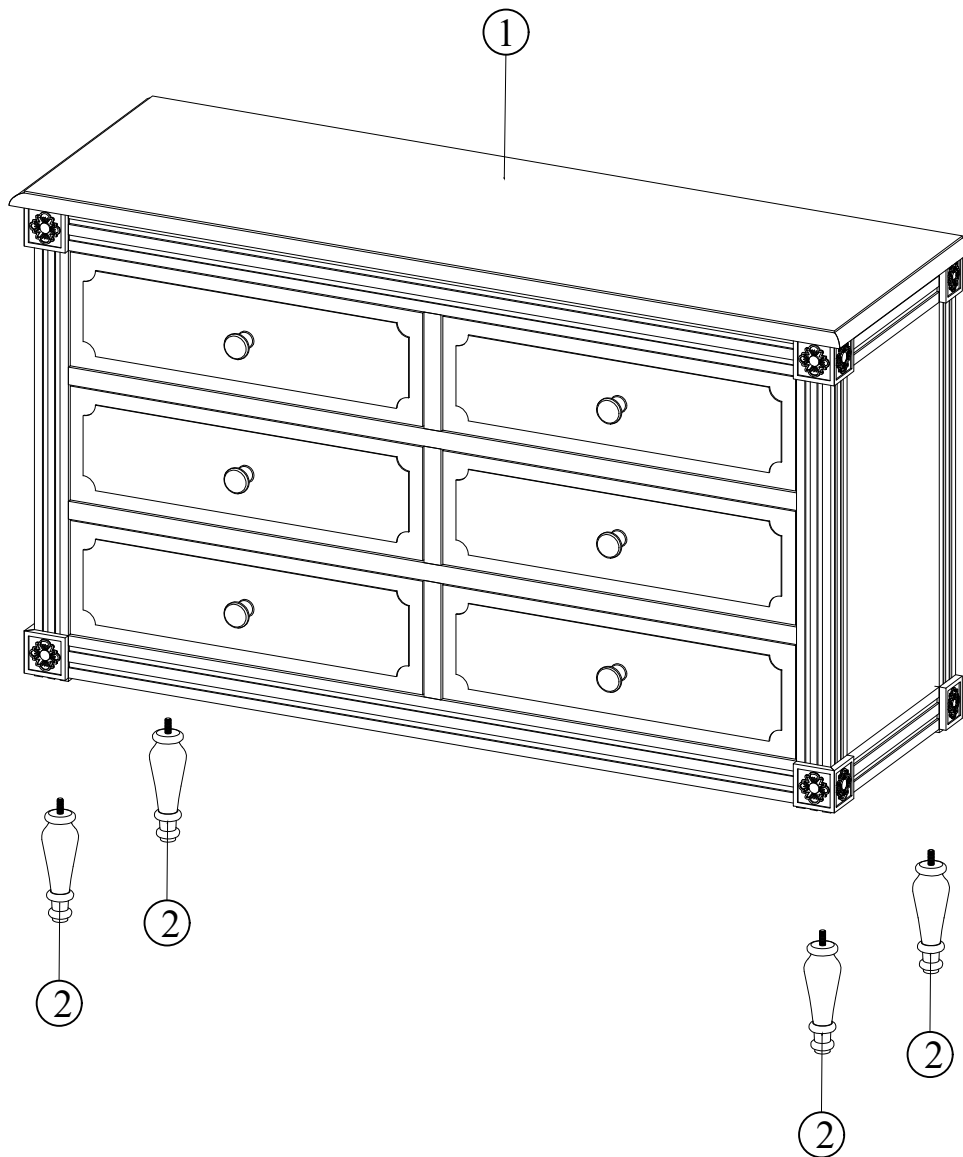
#### Missing parts or faulty products

If you are missing any fixtures or fittings during assembly, or a part is unfortunately faulty please call our customer service team on 01243380600

# feather&black

## Casterton 6 Drawer Wide Chest - Assembly Instruction

Components supplied (not actual size)



(1) : Top Chest

Qty : x 1pc

(2) : Legs Chest

Qty : x 4 pcs

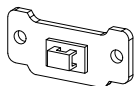
# feather&black

## Casterton 6 Drawer Wide Chest - Assembly Instruction

### Fixtures and fittings supplied (not actual size)



(E) : Plastic Anchors  
(Ø4\*35mmL)  
Qty : x 4



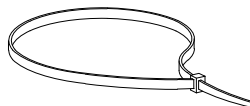
(F) : Hanger tip kid  
Qty : x 4



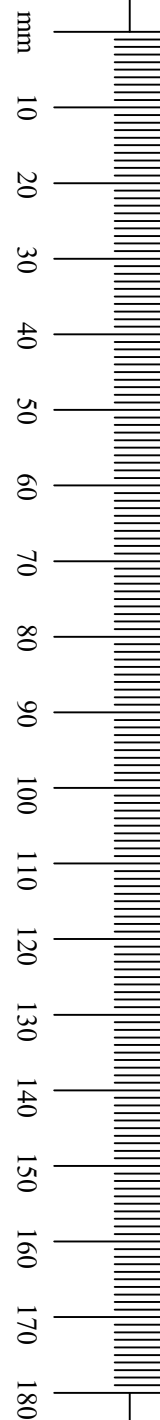
(G) : Screw  
M4x35mm  
Qty : x 4



(H) : Screw  
M4x15mm  
Qty : x 4



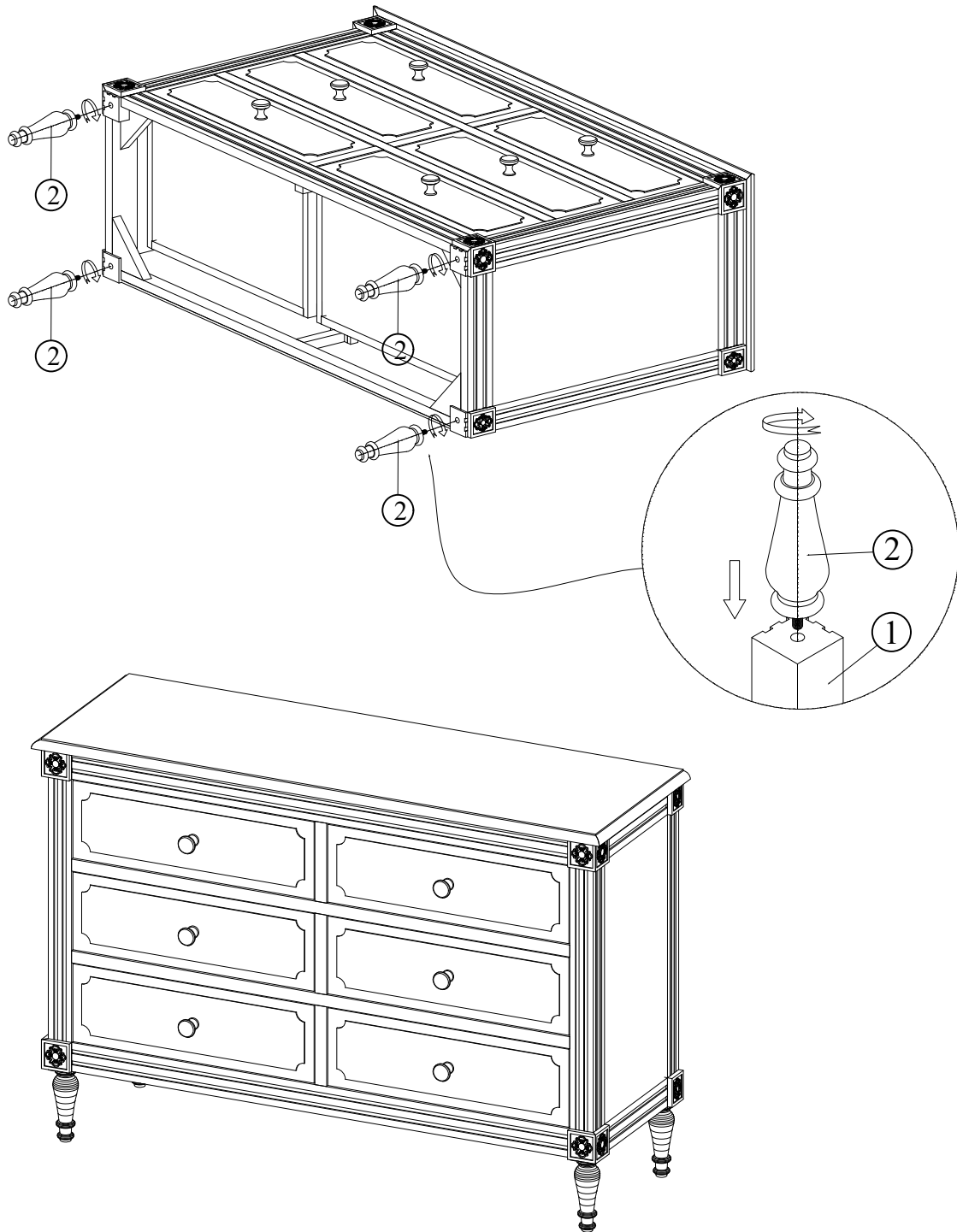
(K) : Key brass  
Qty : x 2



# feather&black

## Casterton 6 Drawer Wide Chest - Assembly Instruction

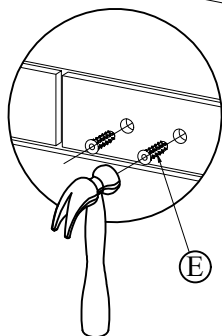
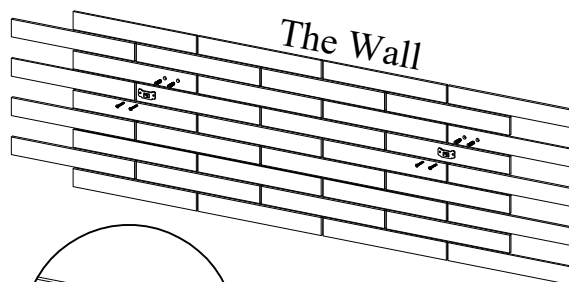
Step 1: Screw in the bolt mounted on the legs (2) on to Chest Top (1)



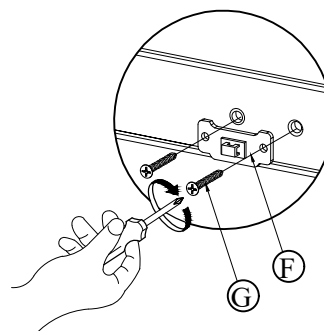
# feather&black

## Casterton 6 Drawer Wide Chest - Assembly Instruction

Step 5:

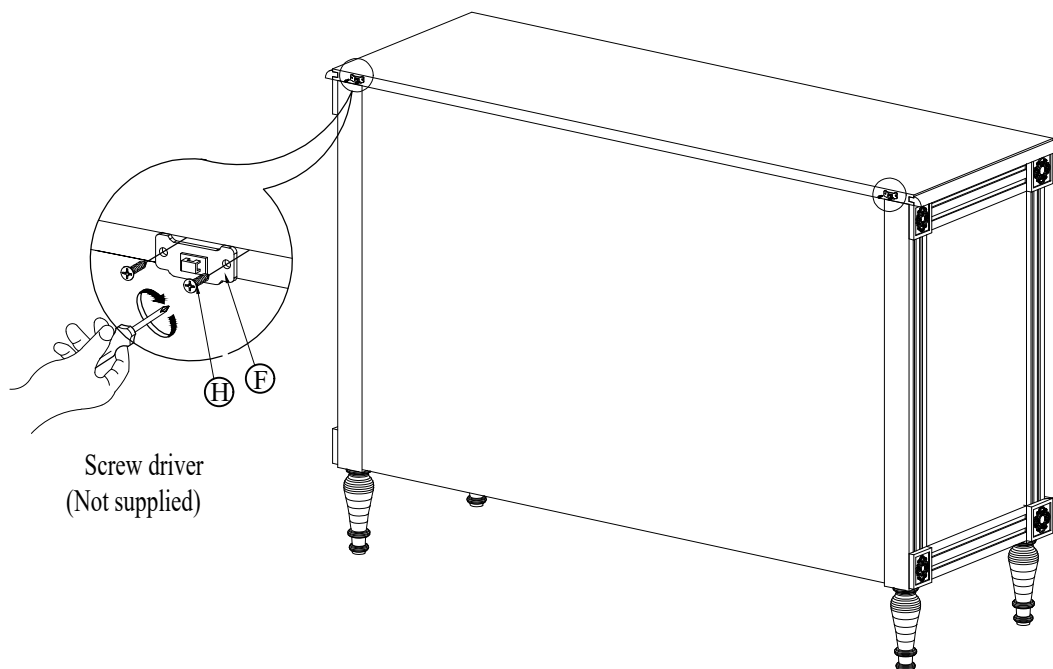


Hammer  
(Not supplied)



Screw driver  
(Not supplied)

Step 6:



Screw driver  
(Not supplied)

# feather&black

## Casterton 6 Drawer Wide Chest - Assembly Instruction

Step 7:

