

feather & black

Grace Bed Assembly Guide



Welcome to the Feather & Black community.

Since 2004, we've been passionately helping our customers create beautiful bedrooms with an exceptional level of quality and expertise. We know your home is a truly special place, so it's a responsibility we don't take lightly. That's why all of our furniture is handcrafted using only the finest materials. Considering every fine detail, every twist, turn and corner, we create pieces that truly reflect your style.

We hope you love this stunning new addition to your home. If we can be of any assistance, please don't hesitate to get in touch with us. You can call 01243 380600 (option 2), email customerservices@featherandblack.com or chat with a member of our team live at [featherandblack.com](https://www.featherandblack.com).

We simply adore seeing our furniture come to life in its forever home, so don't forget to share your style with the world. We'd love for you to tag us on Instagram @featherandblack and include #featherandblack so we can bask in its beauty too!

From our home to yours, thank you for choosing thoughtfully crafted furniture that's made to be cherished.

Sincerley,

The Feather & Black Team

feather&black

Grace Bed - Assembly Instructions

SD: 1290mm x 1260mm x 2005mm

D: 1290mm x 1410mm x 2005mm

K: 1290mm x 1576mm x 2120mm

SK: 1290mm x 1860mm x 2120mm



If you require any advice during assembly, please call our customer service team on 01243 380600

Please retain these assembly instructions for future use

Grace Bed

Before you start

Thank you for purchasing this Grace Bed.

Please read these instructions fully prior to assembly to familiarise yourself with the various stages of construction. Carefully open all packs supplied and check the contents against the parts and fitting checklist.

Do not destroy any of the packaging until you are certain that you have all the necessary parts for the assembly.

This item is heavy once assembled. Please try to assemble the item as close as possible to the point of use. Take care when moving the item to avoid personal injury or damage to the product and always lift rather than drag.

There are small components used in the construction of this furniture as well as plastic packaging, these should be kept away from young children whilst assembling.

Product Safety

All assembly fastenings should always be tightened properly, and care should be taken to ensure that no fittings are loose

Periodically check and ensure that all components are in their proper position, free from damage, and that all connectors are tight.

Please note depending on the lighting, positioning and surroundings of your room, the shade of the colour can sometimes appear slightly different. Over a period of time the colour might lighten or fade slightly due to light exposure.

Product Care

To clean, slightly moisten cloth with water and wipe surfaces. A damp cloth holds dust and prevents damage. repeat with a dry, soft, lint-free cloth. Do not use abrasives or cleaning products which may contain ammonia or solvents.

Number of people required to assemble

Two people to assemble the product and two people to lift in to position.



Time to assemble



30 minutes

Necessary tools



Missing parts or faulty products

If you are missing any fixture or fittings during assembly, or a part is unfortunately faulty please call our customer service team on 01243 380600.

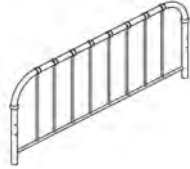
feather&black

Grace Bed

Components supplied (not actual size)



A: Headboard
Quantity: 1 pce
Box: 1



B: Footboard
Quantity: 1 pce
Box: 1

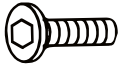


C: Left Side Rail
Quantity: 1 pce
Box: 2



D: Right Side Rail
Quantity: 1 pce
Box: 2

Fixture and fittings supplied (not actual size)



E: Bolt
6 x 20mm
Qty: 12 pcs
Box: 1



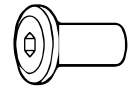
F: Plastic Washer
M6
Qty: 8 pcs
Box: 1



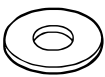
G: Curved Metal
Washer M6
Qty: 8 pcs
Box: 1



H: Metal Sprung
Washer M6
Qty: 8 pcs
Box: 1



I: Sleeve Nut
M6 x 20mm
Qty: 4 pcs
Box: 1

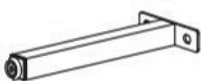


J: Metal Washer
Diameter
22mm Qty: 8
pcs
Box: 1

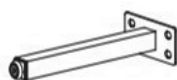


K: Allen Key
Qty: 2 pcs
Box: 1

Note: the following fittings will be found in the box which contains the Sprung Frame, NOT with the bedframe Assembly Kit.



L: Outer
Support Leg
Quantity: 2 pcs



M: Centre
Support Leg
Quantity: 1 pce



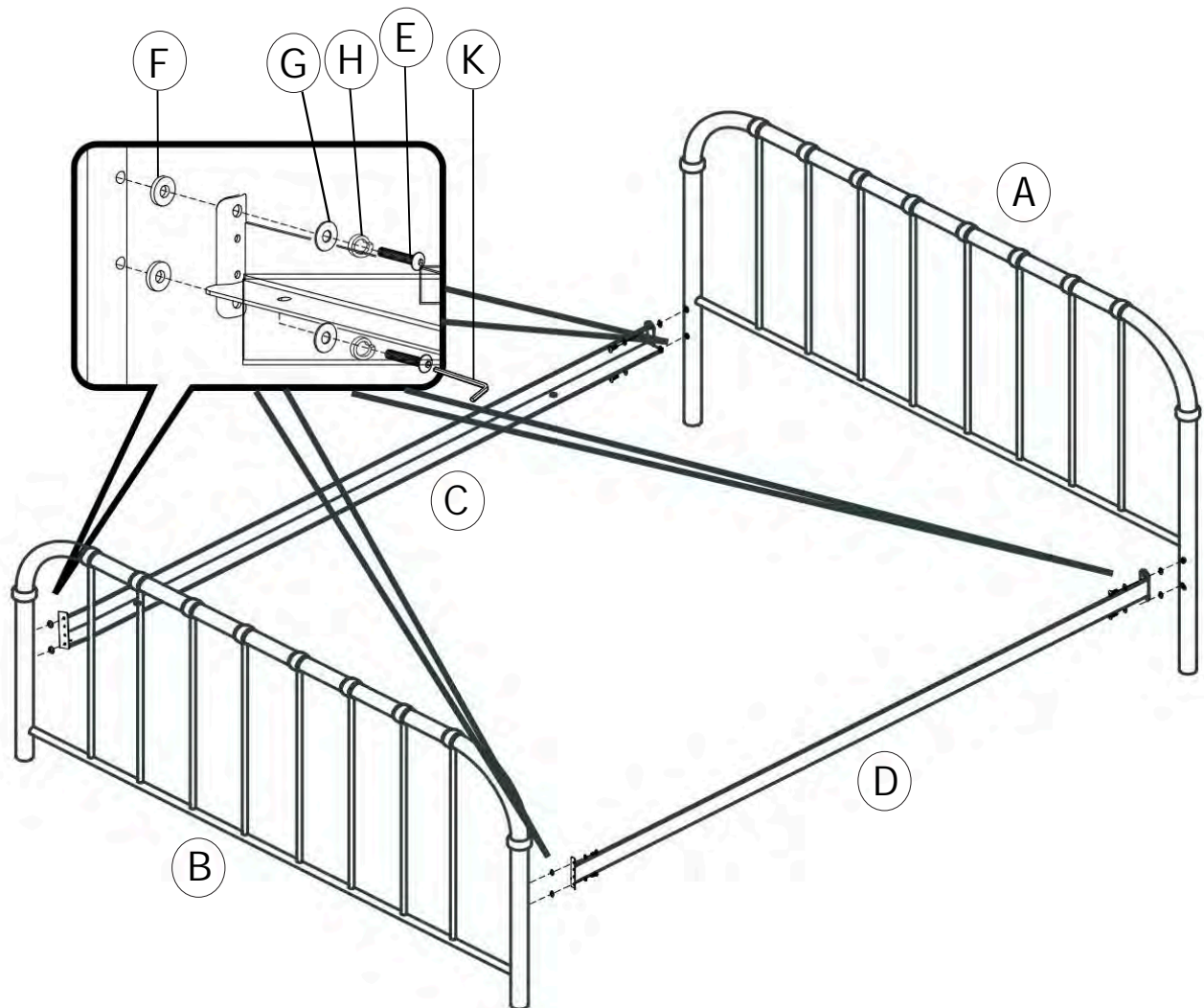
N: Bolt
M6 x 20mm
Quantity: 8 pcs



O: Flat Washer
M6
Quantity: 8 pcs

Grace Bed

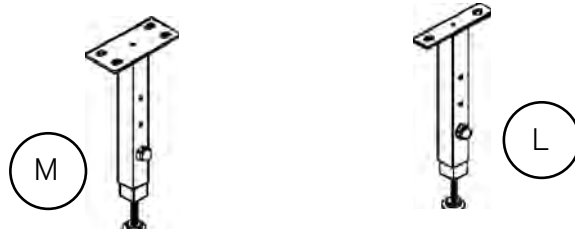
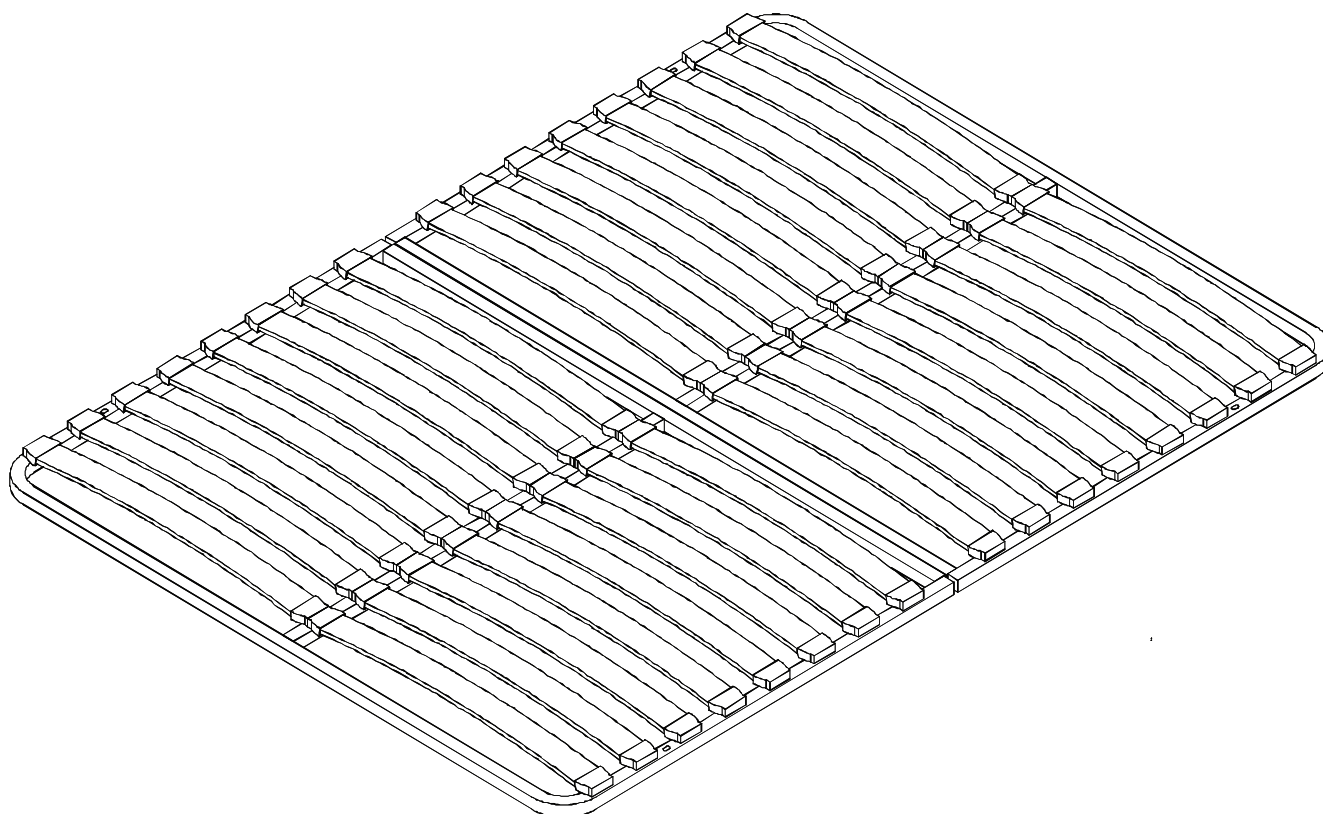
1. Use Bolts (E) and Washers (F, G, H) to fix the side Rails (C) and (D) onto Headboard (A) and Footboard (B). Tighten all bolts securely with the Allen Key (K).



feather&black

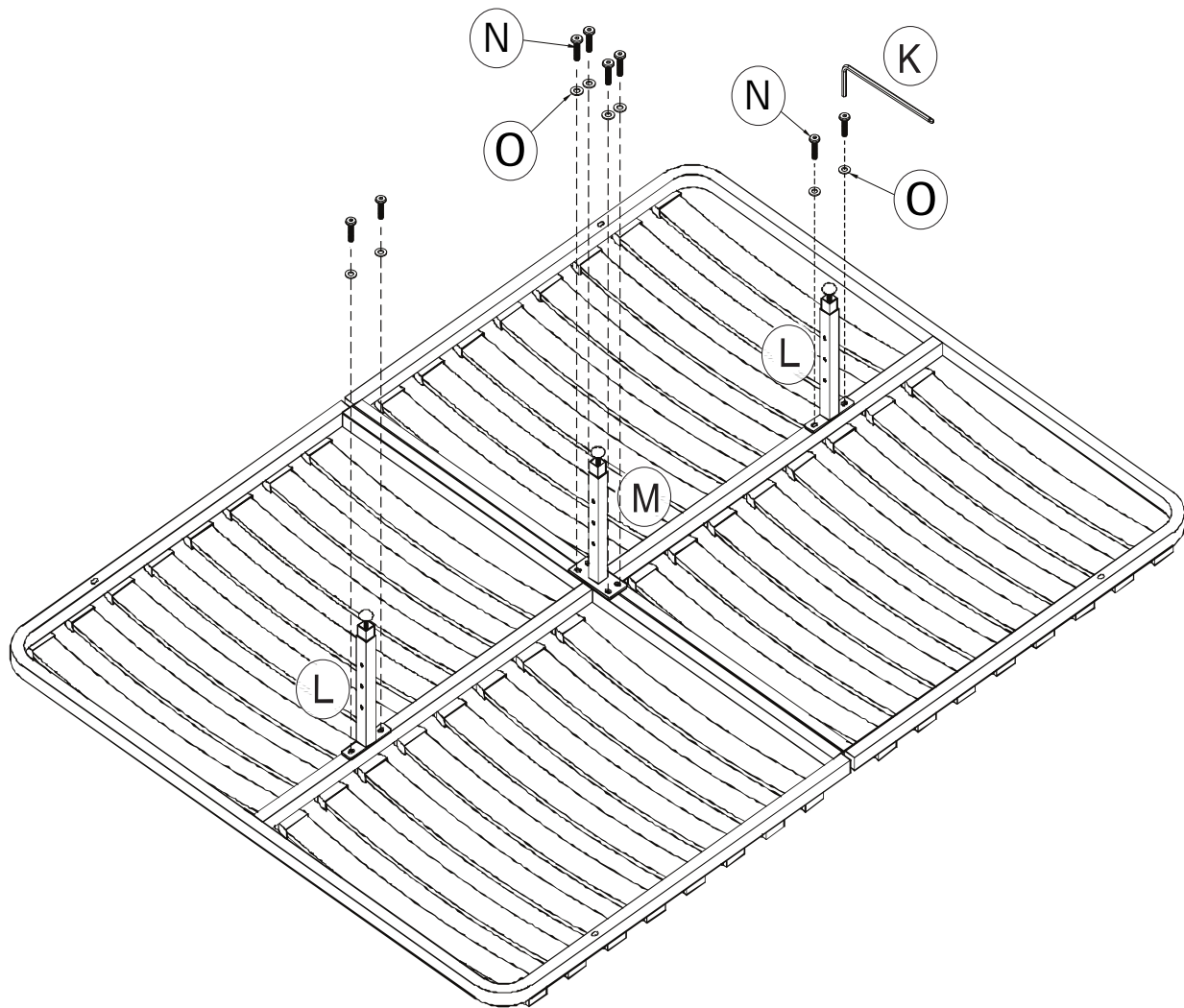
Grace Bed

2. Sprung Slat System

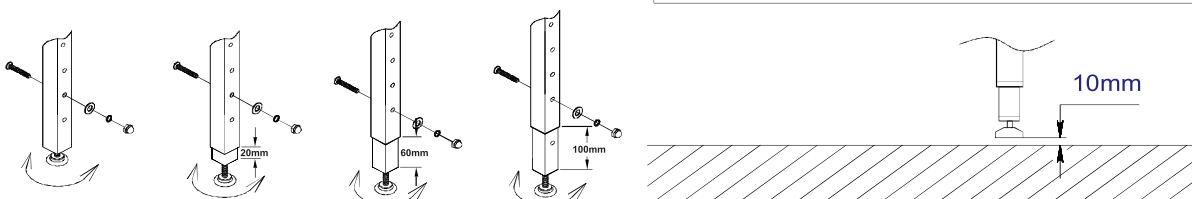


Grace Bed

3. Open the sprung slat frame and lay face down on the floor. Secure Support Legs (L) and (M) to frame using Bolts (N) and Washers (O). Tighten securely with Allen Key (K).

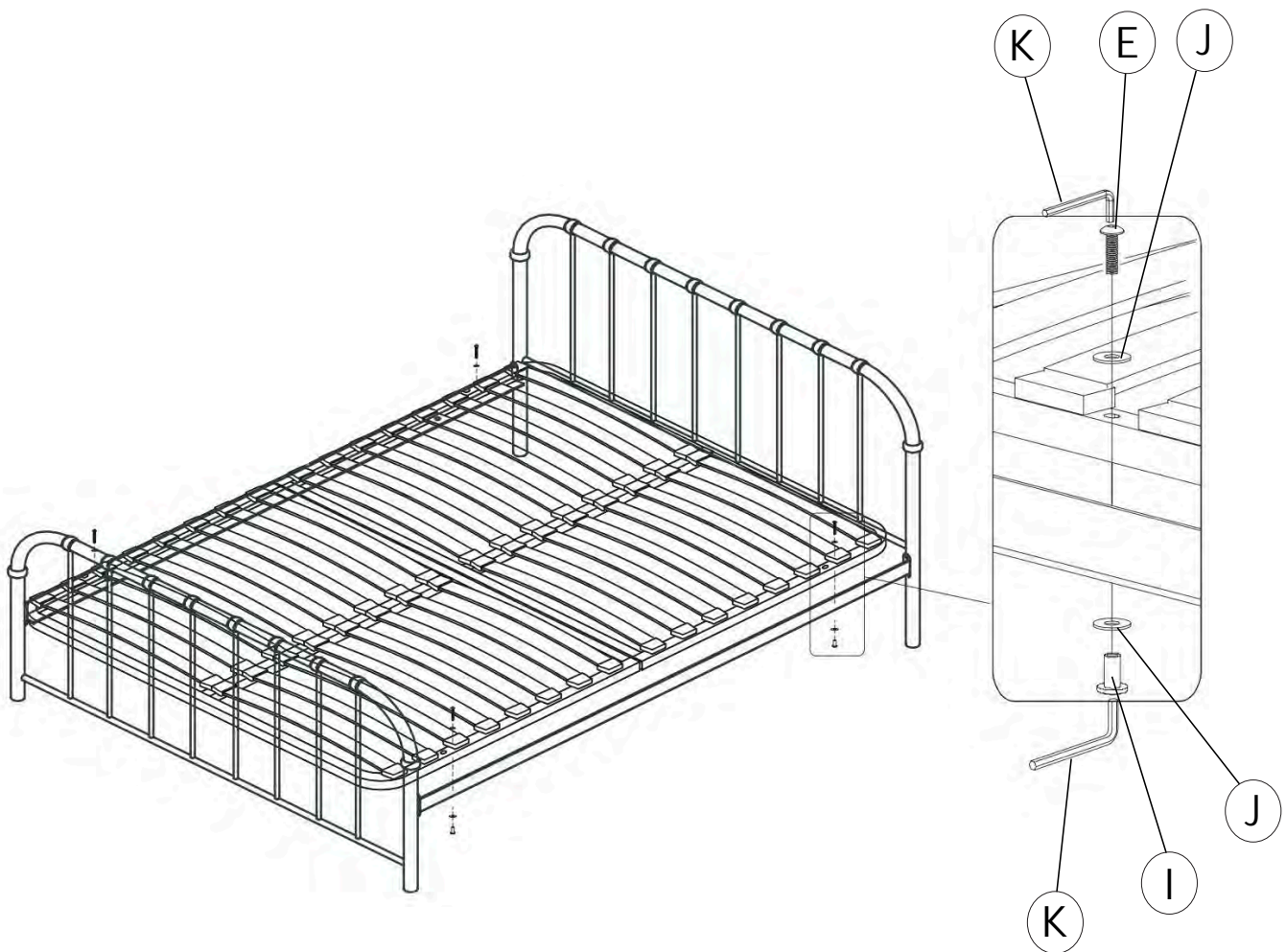


Adjust leg height to suit bed frame



Grace Bed

4. Turn the metal slat frame upward and carefully lower into the bed frame. Ensure the slat frame rests on the side rails and align the hole in the slat frame with those in the side rails. Secure the slat frame to the side rails by threading Bolts (E) and Washers (J) through the corresponding holes into the Sleeve Nuts (I). Tighten all bolts securely using both Allen Keys (K).



feather&black

featherandblack.com