

# feather&black

## Louis Bed Assembly Guide



# Welcome to the Feather & Black community.

Since 2004, we've been passionately helping our customers create beautiful bedrooms with an exceptional level of quality and expertise. We know your home is a truly special place, so it's a responsibility we don't take lightly. That's why all of our furniture is handcrafted using only the finest materials. Considering every fine detail, every twist, turn and corner, we create pieces that truly reflect your style.

We hope you love this stunning new addition to your home. If we can be of any assistance, please don't hesitate to get in touch with us. You can call 01243 380600 (option 2), email [customerservices@featherandblack.com](mailto:customerservices@featherandblack.com) or chat with a member of our team live at [featherandblack.com](https://www.featherandblack.com).

We simply adore seeing our furniture come to life in its forever home, so don't forget to share your style with the world. We'd love for you to tag us on Instagram @featherandblack and include #featherandblack so we can bask in its beauty too!

From our home to yours, thank you for choosing thoughtfully crafted furniture that's made to be cherished.

Sincerley,

**The Feather & Black Team**

# feather&black

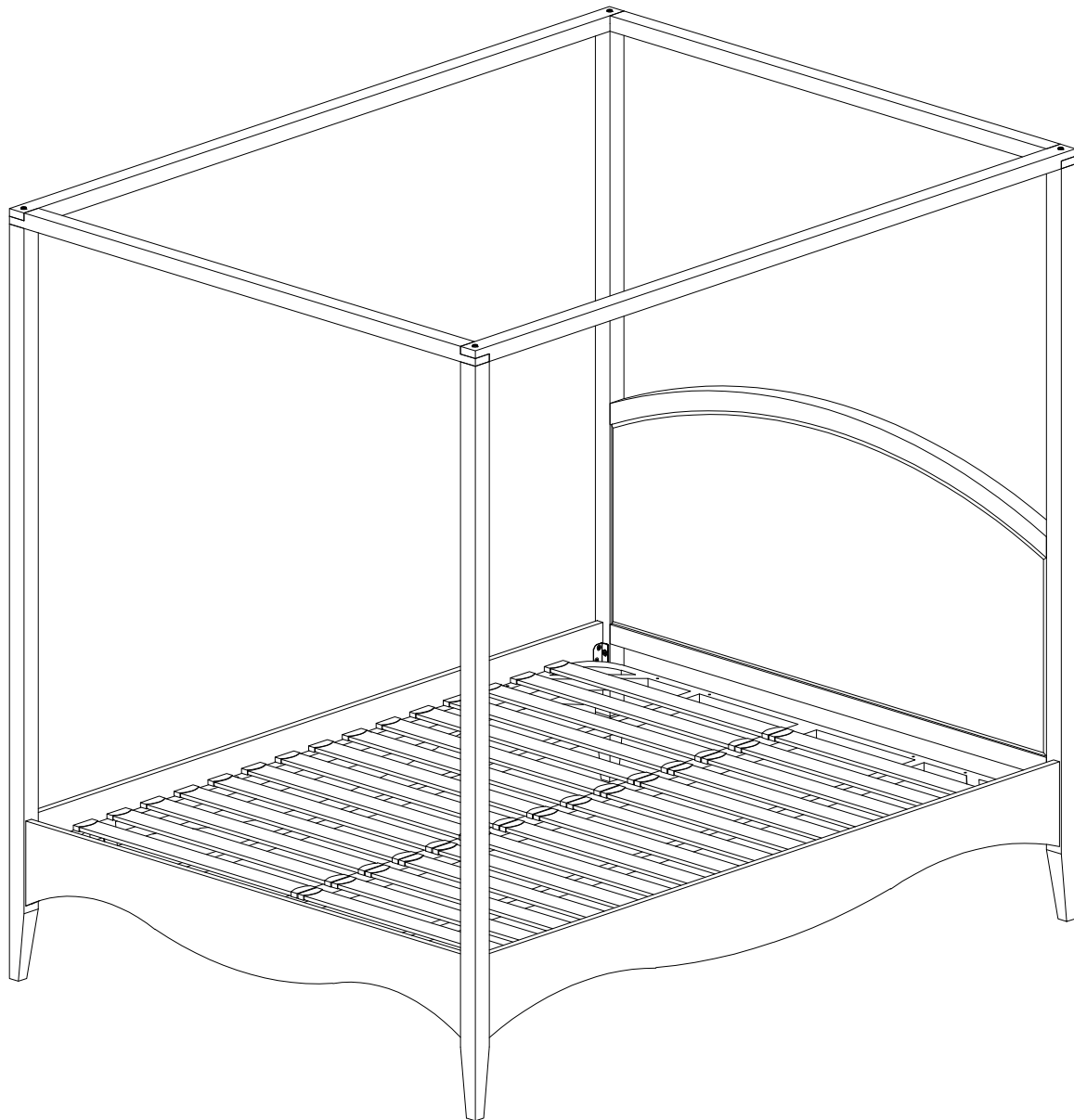
## Louis Bed - Assembly Instruction

### Product size

Double: H200 x L202 x W143.7 cm

King: H200 x L212 x W158.2 cm

Super King: H200 x L212 x W189.2 cm



If you require any advice during assembly, please call our customer service team on  
01243 380600

**Please retain these assembly instructions for future use**

# feather&black

## Louis Bed - Assembly Instruction

### Before you start

Thank you for purchasing this Casterton Bed.

Please read these instructions fully prior to assembly to familiarise yourself with the various stages of construction. Carefully open all packs supplied and check the contents against the parts and fittings check list.

Do not destroy any of the packaging until you are certain that you have all the necessary parts for the assembly.

This item is heavy once assembled. Please try to assemble the item as close as possible to the point of use. Take care when moving the item to avoid personal injury or damage to the product and always lift rather than drag.

There are small components used in the construction of this furniture as well as plastic packaging, these should be kept away from young children whilst assembling.

#### Product Safety

All assembly fastenings should always be tightened properly, and care should be taken to ensure that no fittings are loose.

Periodically check and ensure that all components are in their proper position, free from damage, and that all connectors are tight.

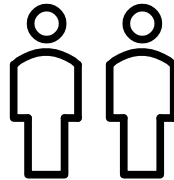
Please note depending on the lighting, positioning and surroundings of your room, the shade of the colour can sometimes appear slightly different. Over a period of time the colour might lighten or fade slightly due to light exposure.

#### Product Care

To clean, slightly moisten cloth with water and wipe surfaces. A damp cloth holds dust and prevents damage. repeat with a dry, soft, lint-free cloth. Do not use abrasives or cleaning products which may contain ammonia or solvents.

#### Number of people required to assemble

One people to assemble the product and two people to lift in to position.

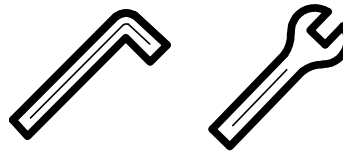


#### Time to assemble



1/2 Hour

#### Necessary tools



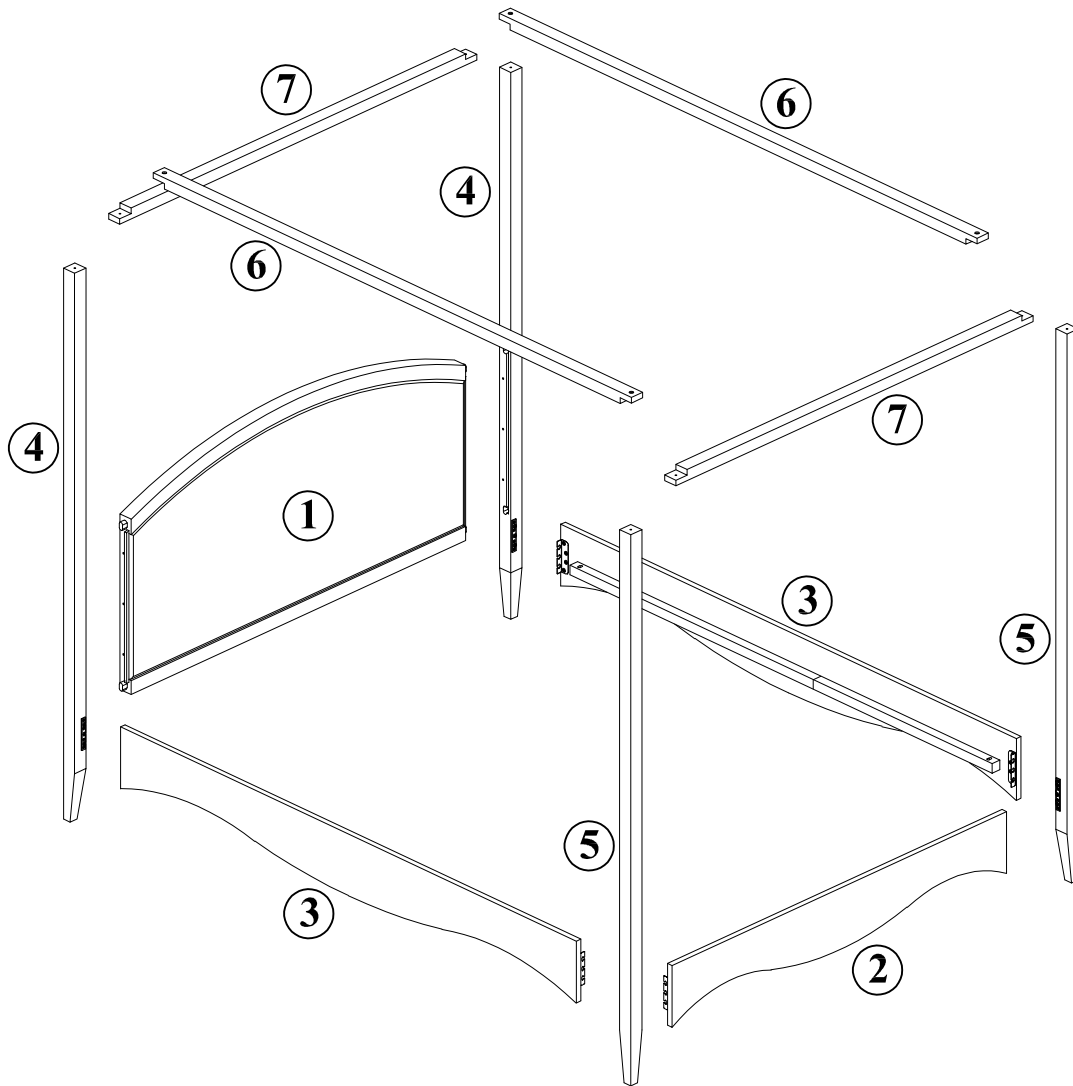
#### Missing parts or faulty products

If you are missing any fixtures or fittings during assembly, or a part is unfortunately faulty please call our customer service team on 01243380600

# feather&black

## Louis Bed - Assembly Instruction

Components supplied (not actual size)



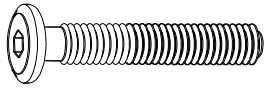
(1) : Headboard Qty : x 1 pc  
(2) : Footboard Qty : x 1 pc  
(3) : Side Rail Qty : x 2 pcs  
(4) : Legs Headboard (L+R) Qty : x 2 pcs

(5) : Legs Footboard(L+R) Qty : x 2 pcs  
(6) : Vertical Bar Qty : x 2 pcs  
(7) : Cross Bar Qty : x 2 pcs

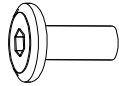
# feather&black

## Louis Bed - Assembly Instruction

### Fixtures and fittings supplied (not actual size)



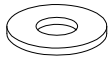
Ref : A  
Dimensions (mm)  
M6x45mm  
Quantity: 4PCS  
Box Number : 1



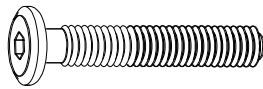
Ref : B  
Dimensions (mm)  
M6  
Quantity: 4PCS  
Box Number : 1



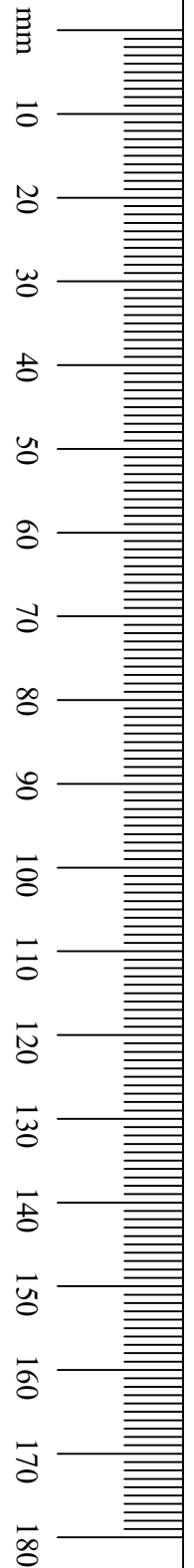
Ref : C  
Dimensions (mm)  
M4  
Quantity: 2PCS  
Box Number : 1



Ref : D  
Dimensions (mm)  
Ø18 x Ø6 x 1  
Quantity: 14PCS  
Box Number : 1



Ref : E  
Dimensions (mm)  
M6 x 60mm  
Quantity: 10PCS  
Box Number : 1

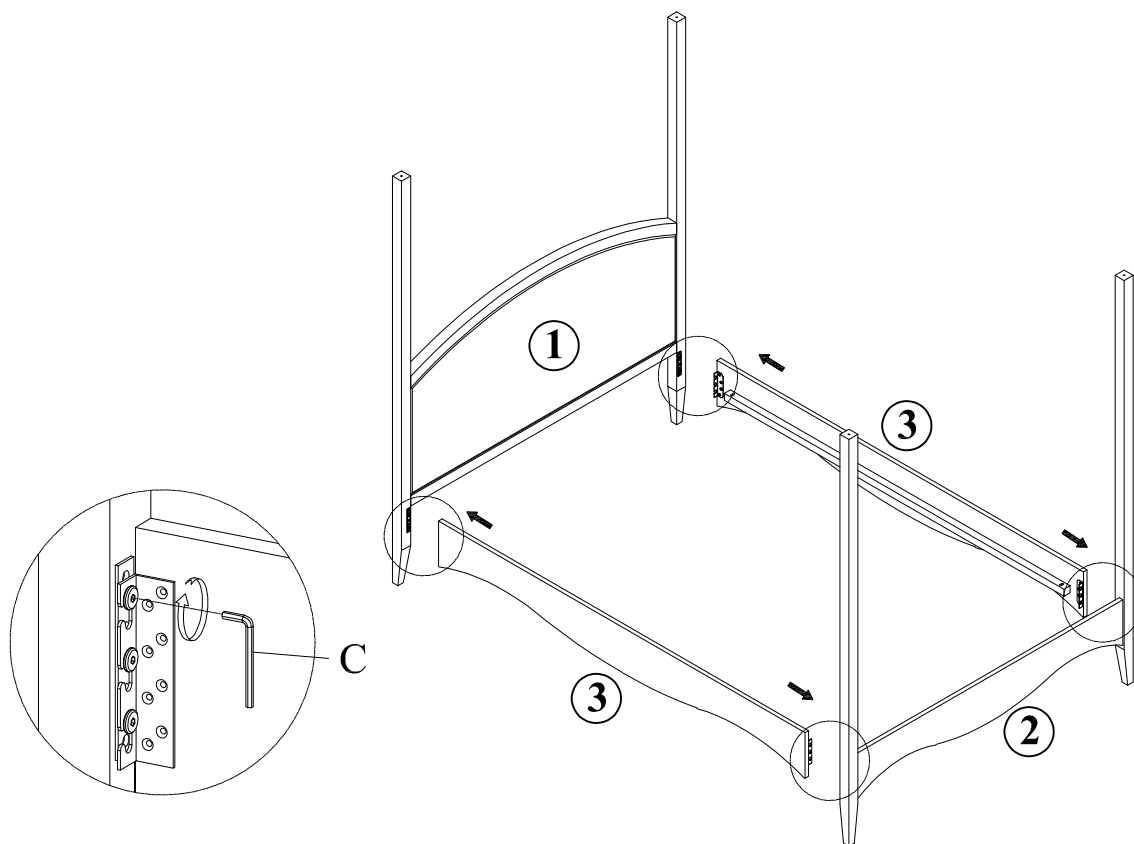




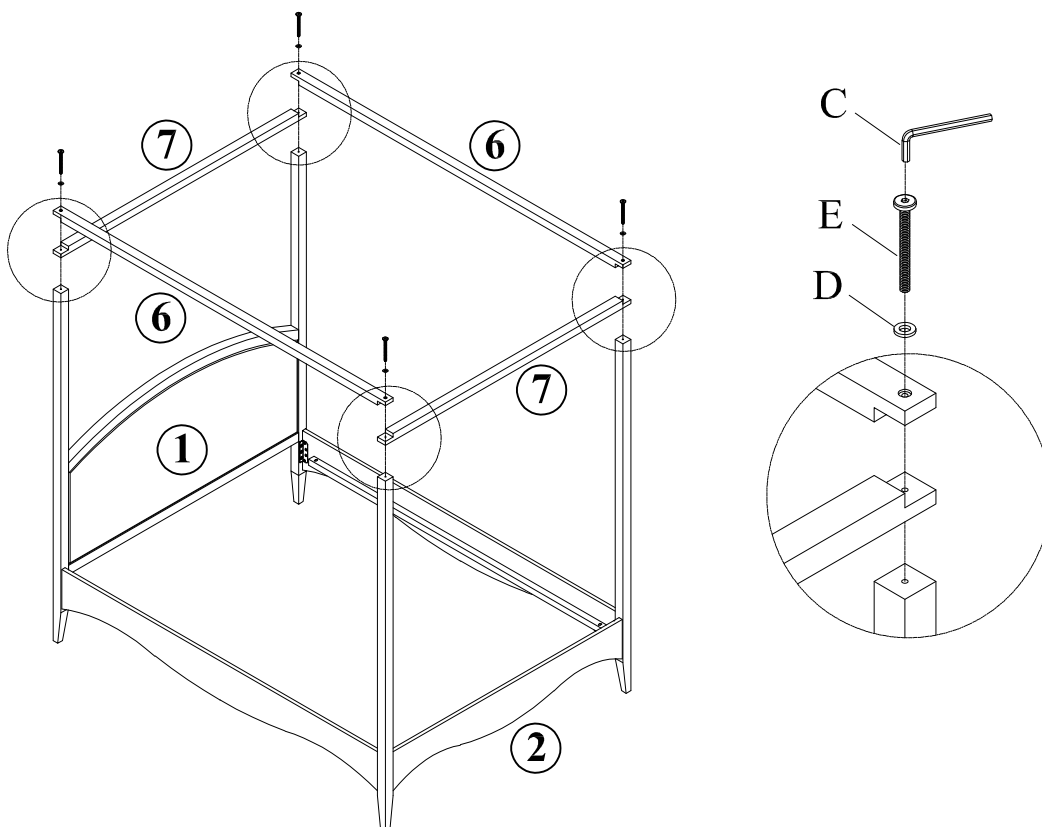
# feather&black

## Louis Bed - Assembly Instruction

Step 3: Install the Foot Frame (1 & 2) into the cabinet assembly (3)



Step 4: Install the bars (6 & 7) into the cabinet assembly (1 & 2)





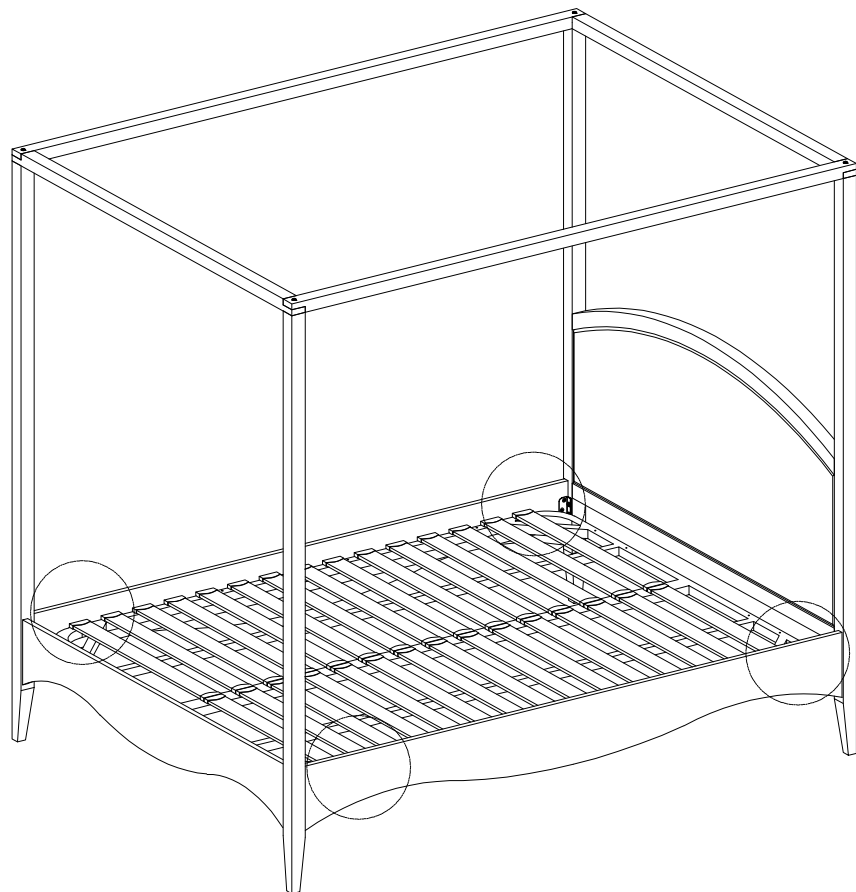
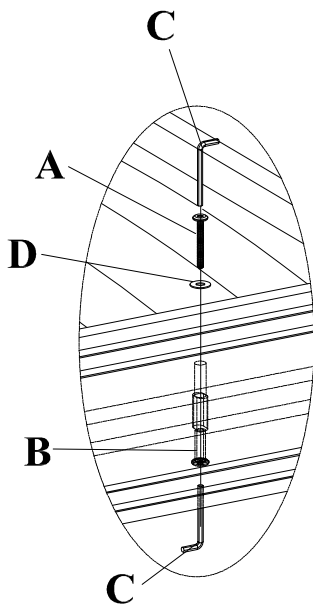
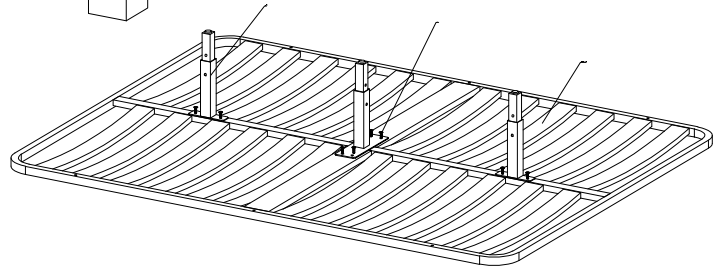
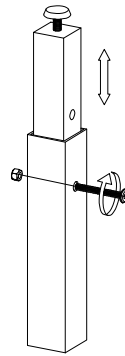
# feather&black

## Louis Bed - Assembly Instruction

### Step 5:

NOTE : SPRUNG SLATS  
SUPPLY SEPARATELY

- (1) Use The bolt to fit support leg on to the slat frame.  
Please note that these bolts are to be found inside the slat frame box.
- (2) Carefully locate the slats on to the unit.
- (3) Use bolt (A) and JCN nut (B) to fit the unit using Allen Key (C)



feather&black

[fratherandblack.com](http://fratherandblack.com)