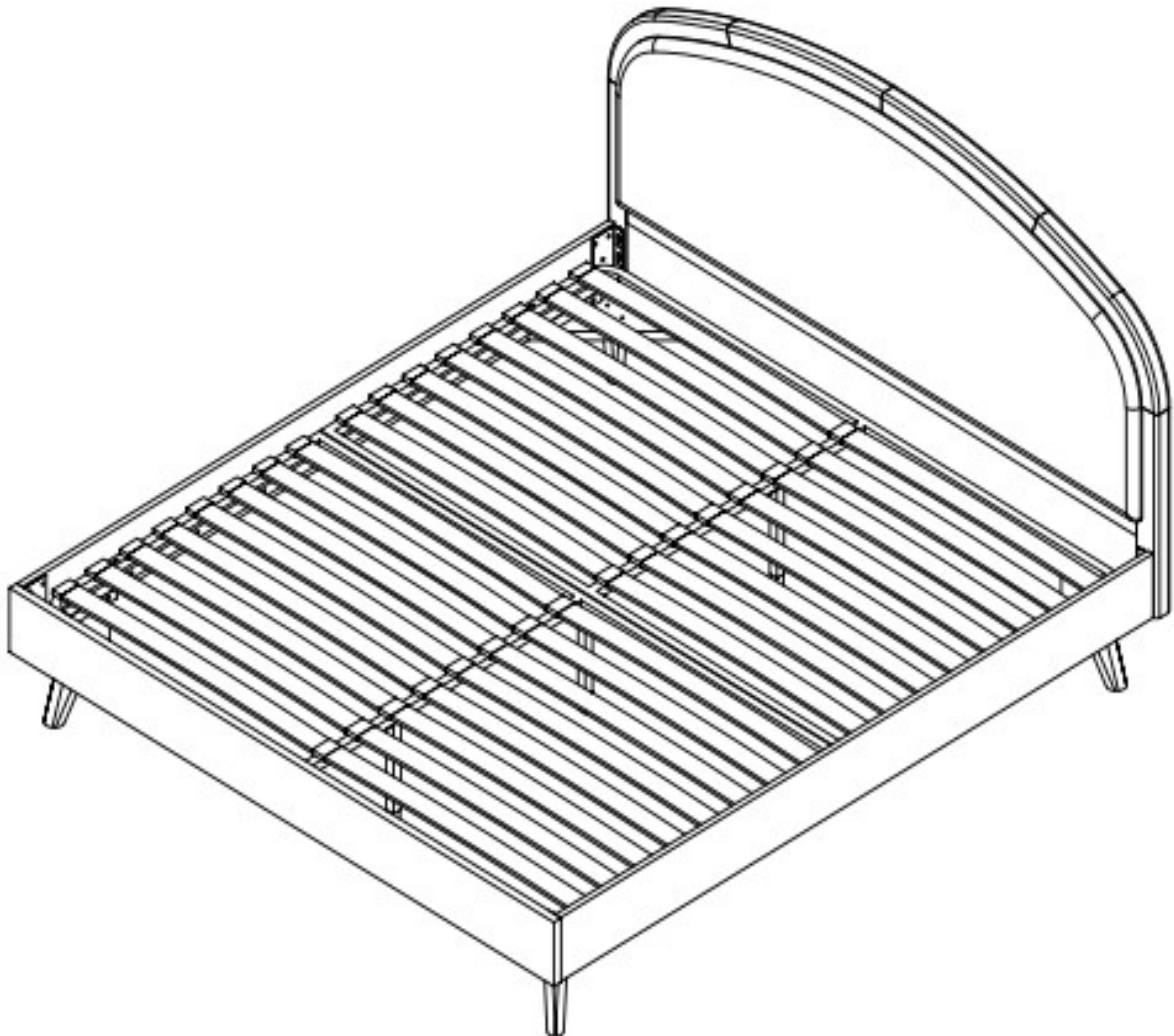


feather&black

Saunders Bed

Assembly Guide



Welcome to the Feather & Black community.

Since 2004, we've been passionately helping our customers create beautiful bedrooms with an exceptional level of quality and expertise. We know your home is a truly special place, so it's a responsibility we don't take lightly. That's why all of our furniture is handcrafted using only the finest materials. Considering every fine detail, every twist, turn and corner, we create pieces that truly reflect your style.

We hope you love this stunning new addition to your home. If we can be of any assistance, please don't hesitate to get in touch with us. You can call 01243 380600 (option 2), email customerservices@featherandblack.com or chat with a member of our team live at [featherandblack.com](https://www.featherandblack.com).

We simply adore seeing our furniture come to life in its forever home, so don't forget to share your style with the world. We'd love for you to tag us on Instagram @featherandblack and include #featherandblack so we can bask in its beauty too!

From our home to yours, thank you for choosing thoughtfully crafted furniture that's made to be cherished.

Sincerley,

The Feather & Black Team

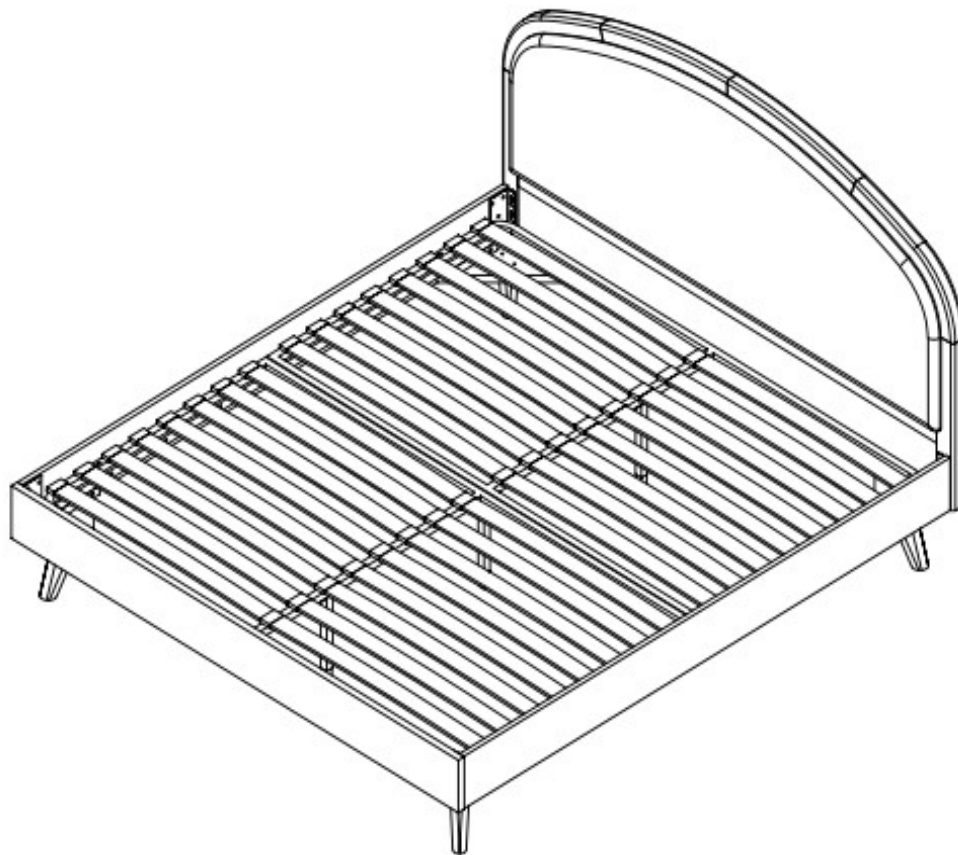
feather&black

Saunders Bed - Assembly Instructions

D: 1435mm x 2035mm x 1200mm

K: 1585mm x 2115mm x 1200mm

SK: 1895mm x 2115mm x 1200mm



If you require any advice during assembly, please call our customer service team on 01243 380600

Please retain these assembly instructions for future use

Saunders Bed

Before you start

Thank you for purchasing this Saunders Bed.

Please read these instructions fully prior to assembly to familiarise yourself with the various stages of construction. Carefully open all packs supplied and check the contents against the Parts and fittings check list.

Do not destroy any of the packaging until you are certain that you have all the necessary parts for the assembly.

This item is heavy once assembled. Please try to assemble the item as close as possible to the point of use. Take care when moving the item to avoid personal injury or damage to the product and always lift rather than drag.

There are small components used in the construction of this furniture as well as plastic packaging, these should be kept away from young children whilst assembling.

Product Safety

All assembly fastenings should always be tightened properly, and care should be taken to ensure that no fittings are loose.

Periodically check and ensure that all components are in their proper position, free from damage, and that all connectors are tight.

Please note depending on the lighting, positioning and surroundings of your room, the shade of the colour can sometimes appear slightly different. Over a period of time the colour might lighten or fade slightly due to light exposure.

Product Care

To clean, slightly moisten cloth with water and wipe surfaces. A damp cloth holds dust and prevents damage. Repeat with a dry, soft, lint-free cloth. Do not use abrasives or cleaning products which may contain ammonia or solvents.

Number of people required to assemble

Two people to assemble the product and two people to lift in to position.

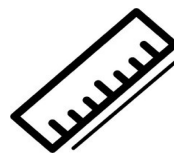


Time to assemble



30 minutes

Necessary tools



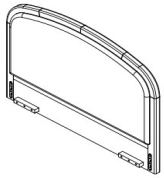
Missing parts or faulty products

If you are missing any fixtures or fittings during assembly, or a part is unfortunately faulty please call our customer service team on 01243 380600.

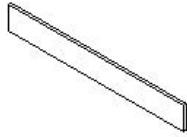
feather&black

Saunders Bed

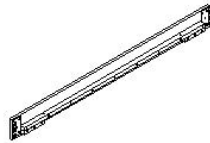
Components supplied (not actual size)



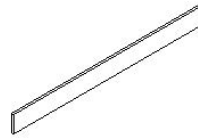
A: Headboard
Quantity: 1 pc
Box: 1



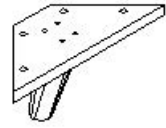
B: Footboard
Quantity: 1 pc
Box: 2



C: Left Side Rail
Quantity: 1 pc
Box: 3



D: Right Side Rail
Quantity: 1 pc
Box: 3



E: Wooden Leg
Quantity: 4 pcs
Box: 1

PLEASE NOTE: There are bolts, washers and spring washers which have been pre-fitted to the Headboard (A) & Footboard (B) not included below.

Fixture and fittings supplied (not actual size)



G: Bolt
M6 x 40mm
Quantity: 16 pcs
Box: 1



H: Metal Washer
Ø10/Ø25mm
Quantity: 16 pcs
Box: 1



I: Metal Washer
Ø8/Ø18mm
Quantity: 8 pcs
Box: 1



J: Spring Washer
Ø8/Ø14mm
Quantity: 16 pcs
Box: 1



K: Bolt
M6 x 80mm
Quantity: 4 pcs
Box: 1



L: Nut
M6 x 20mm
Quantity: 4 pcs
Box: 1

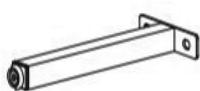


M: Spanner
Quantity: 1 pc
Box: 1

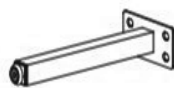


N: Allen Key
Quantity: 1 pc
Box: 1

Note: the following fittings will be found in the box which contains the Sprung Frame, NOT with the bedframe Assembly Kit.



O: Outer Support Leg
Quantity: 2 pcs



P: Centre Support Leg
Quantity: 1 pc



Q: Bolt
M6 x 20mm
Quantity: 8 pcs

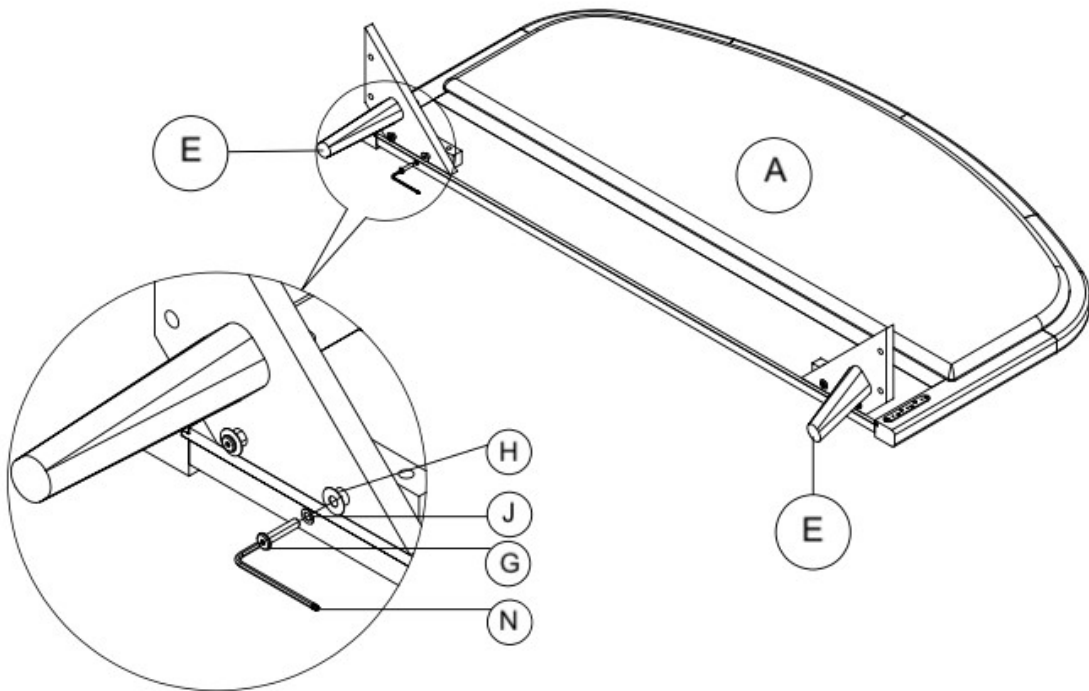


R: Flat Washer
M6
Quantity: 8 pcs

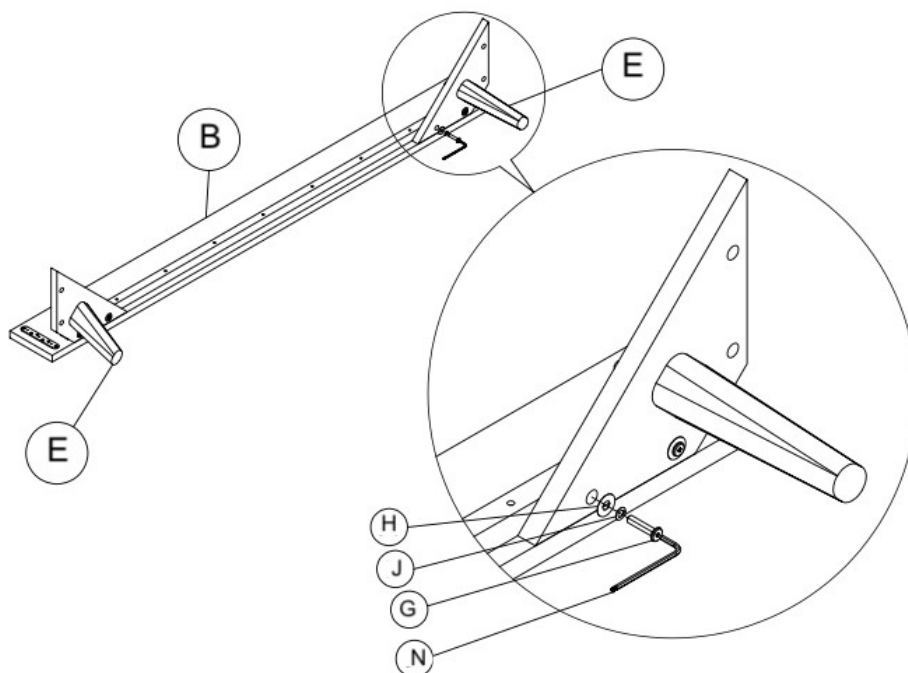
feather&black

Saunders Bed

1. Lay the Headboard (A) on its back and attach Wooden Legs (E) to each side and tighten with Allen Key (N).



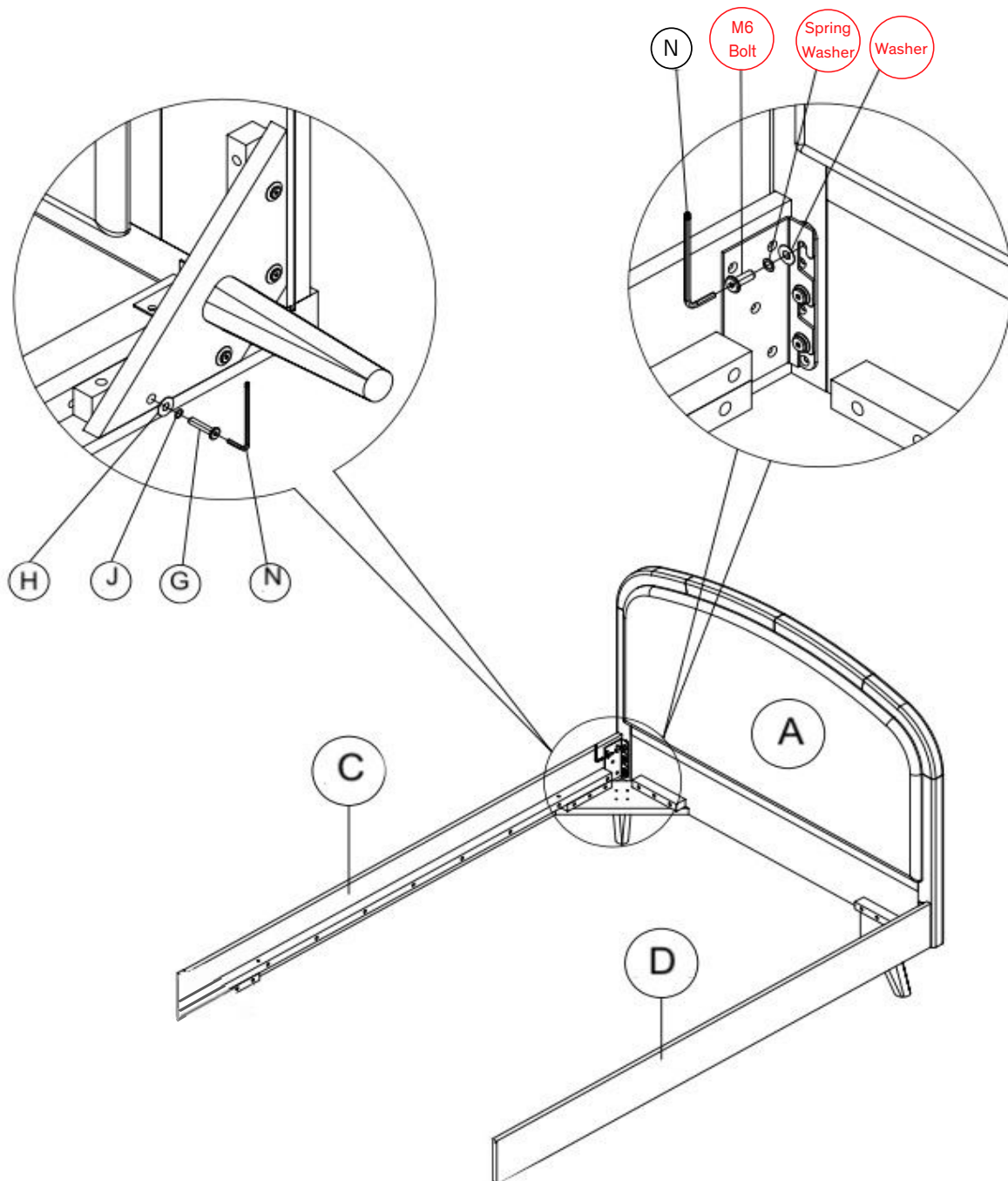
2. Attach Wooden Legs (E) to Footboard (B) and tighten all Bolts with Allen Key (N).



feather&black

Saunders Bed

3. Loosen the pre-installed bolts on the Headboard (A) by 10mm and then hook the metal plates of the Side Rails (C and D) over the bolts, ensuring the Washer and Spring Washer are positioned as shown in the diagram. Return Headboard (A) to an upright position, resting the Side Rails on the floor. Attach the Wooden Legs (E) to each Side Rail as shown and then tighten all bolts with the Allen Key (N).

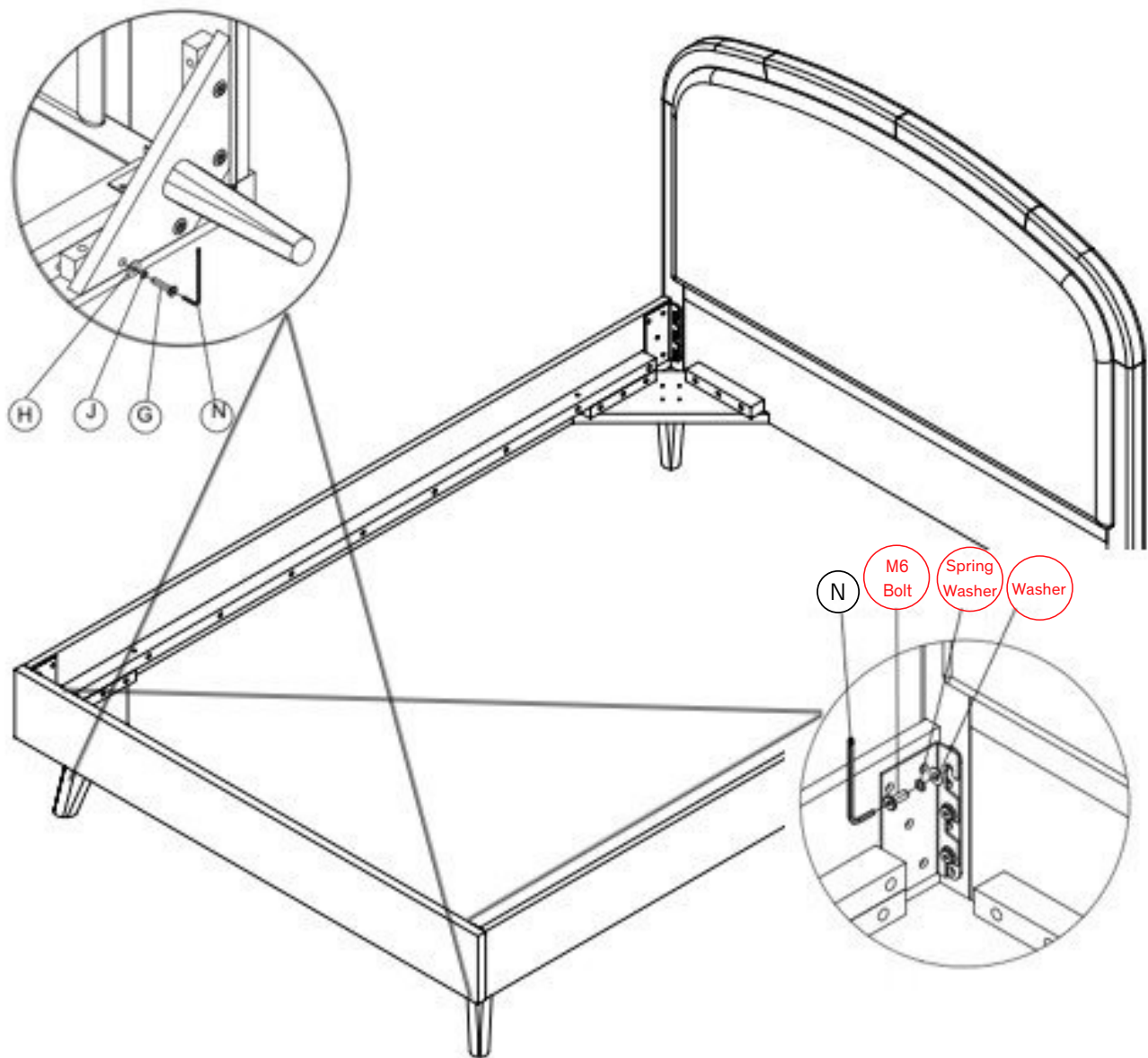


feather&black

Saunders Bed

4. Loosen the pre-installed bolts on the Footboard (B) by 10mm and whilst tilting the Headboard (A) slightly inwards, hook the metal plates of the Side Rails (C and D) over the bolts, ensuring the Washer and Spring Washer are positioned as shown in the diagram.

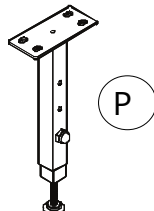
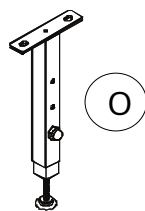
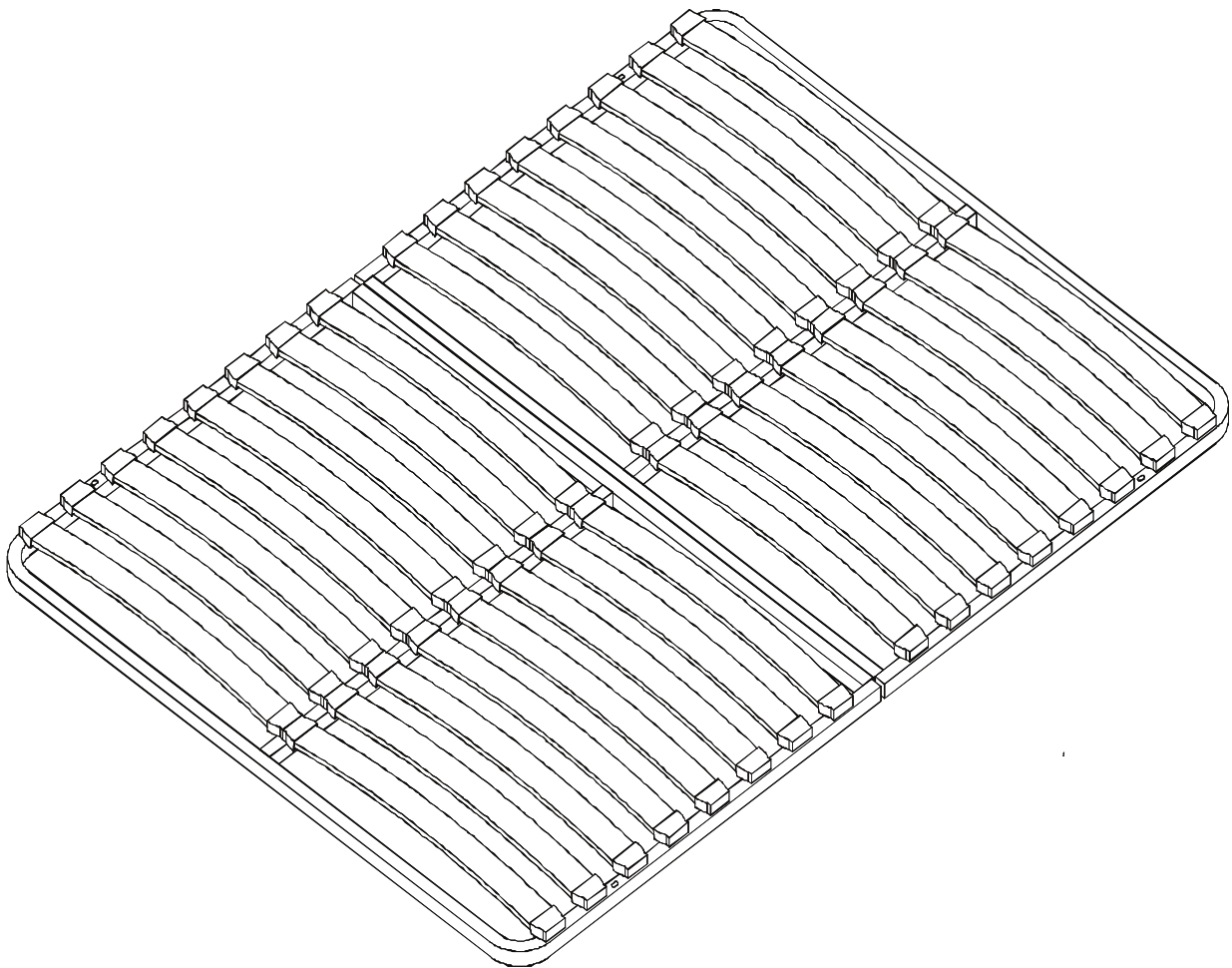
Attach the Wooden Legs (E) to each Side Rail as shown and then tighten all bolts with the Allen Key (N).



feather&black

Saunders Bed

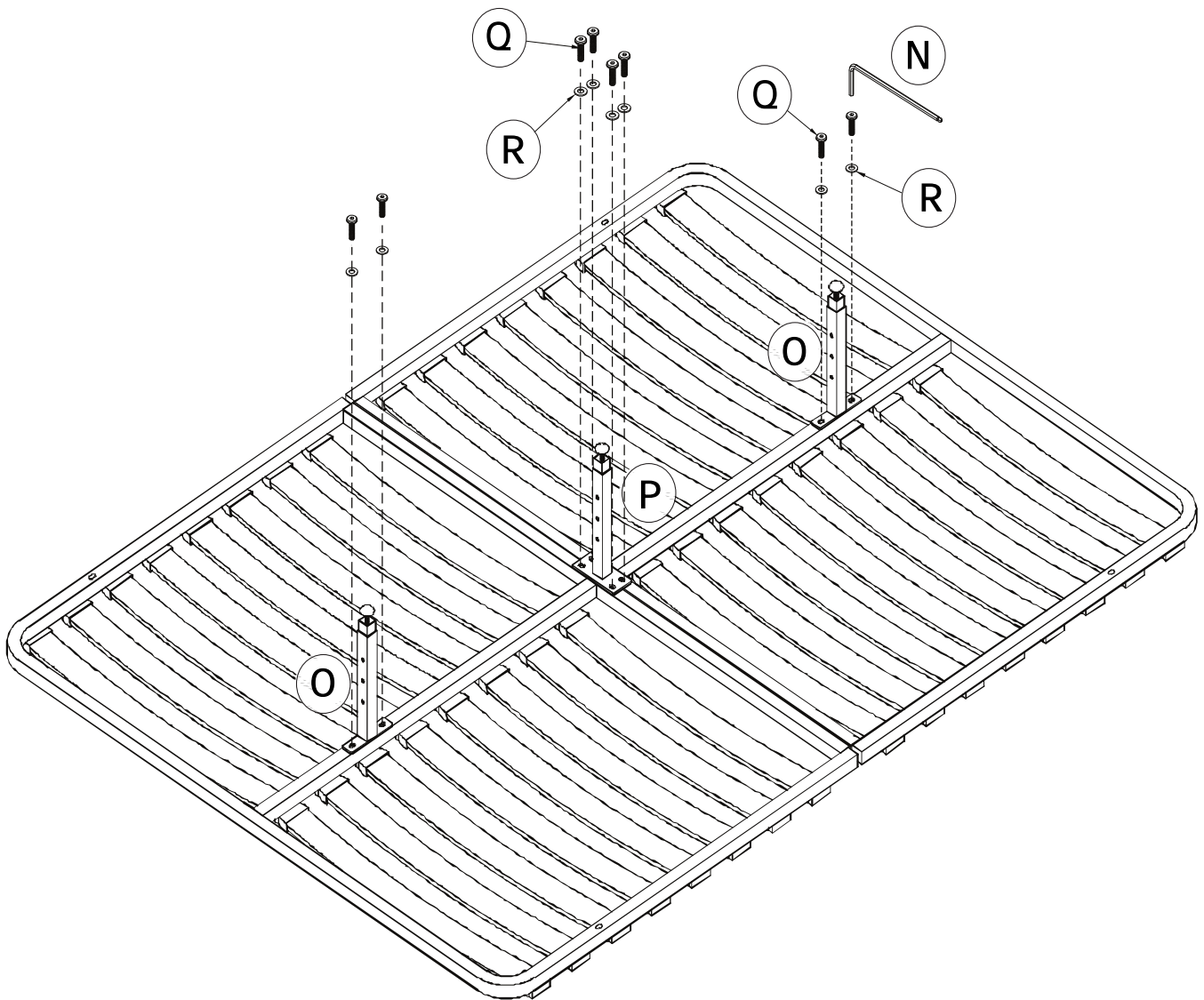
3. Sprung Slat System



feather&black

Saunders Bed

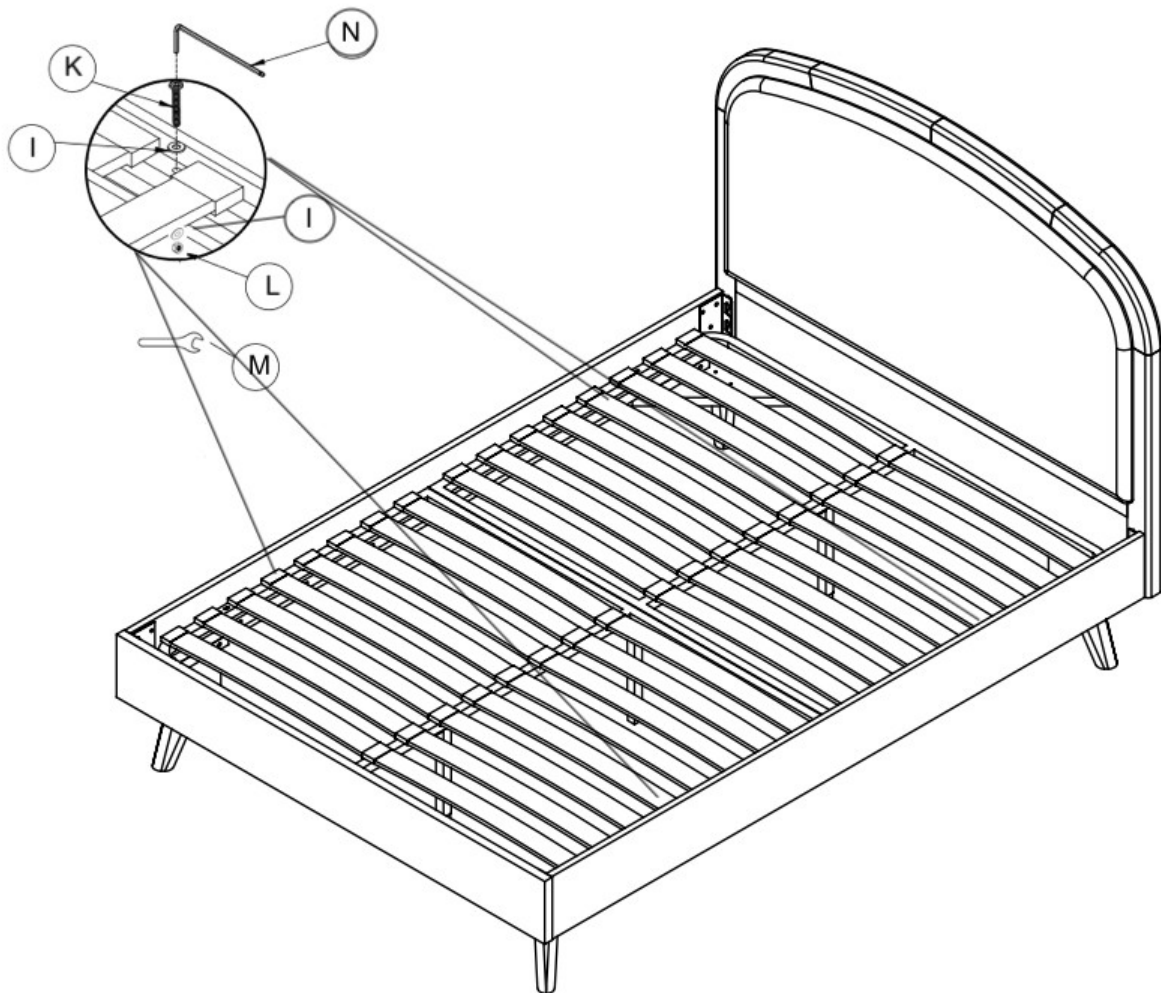
6. Open the sprung slat frame and lay face down on the floor. Secure Support Legs (O) and (P) to frame using Bolts (Q) and Washers (R). Tighten securely with Allen Key (N).



feather&black

Saunders Bed

7. Turn the metal slat frame upward and carefully lower it into the bed. Ensure the frame rests on the side rails and align the holes in the slat frame with those in the side rails. Secure the slat frame to the side rails by threading Bolts (K) and Washers (I) through the corresponding holes into the Nuts (L). Tighten the bolts securely using the Allen Key (K) and Spanner (M).



feather&black

featherandblack.com