

# feather&black

## Saunders Desk Assembly Guide



# Welcome to the Feather & Black community.

Since 2004, we've been passionately helping our customers create beautiful bedrooms with an exceptional level of quality and expertise.

We know your home is a truly special place, so it's a responsibility we don't take lightly. That's why all of our furniture is handcrafted using only the finest materials. Considering every fine detail, every twist, turn and corner, we create pieces that truly reflect your style.

We hope you love this stunning new addition to your home. If we can be of any assistance, please don't hesitate to get in touch with us. You can call 01243 380600 (option 2), email [customerservices@featherandblack.com](mailto:customerservices@featherandblack.com) or chat with a member of our team live at [featherandblack.com](https://www.featherandblack.com).

We simply adore seeing our furniture come to life in its forever home, so don't forget to share your style with the world. We'd love for you to tag us on Instagram [@featherandblack](https://www.instagram.com/featherandblack) and include [#featherandblack](https://www.instagram.com/featherandblack) so we can bask in its beauty too!

From our home to yours, thank you for choosing thoughtfully crafted furniture that's made to be cherished.

Sincerley,

**The Feather & Black Team**

## Saunders Desk - Assembly Instructions

Product size: 1200mm x 550mm x 1950mm



If you require any advice during assembly, please call our customer service team on 01243 380600

**Please retain these assembly instructions for future use**

# feather&black

## Saunders Desk

### Before you start

Thank you for purchasing this Saunders Desk.

Please read these instructions fully prior to assembly to familiarise yourself with the various stages of construction. Carefully open all packs supplied and check the contents against the Parts and fittings check list.

Do not destroy any of the packaging until you are certain that you have all the necessary parts for the assembly.

This item is heavy once assembled. Please try to assemble the item as close as possible to the point of use. Take care when moving the item to avoid personal injury or damage to the product and always lift rather than drag.

There are small components used in the construction of this furniture as well as plastic packaging, these should be kept away from young children whilst assembling.

#### Product Safety

All assembly fastenings should always be tightened properly, and care should be taken to ensure that no fittings are loose

Periodically check and ensure that all components are in their proper position, free from damage, and that all connectors are tight.

Please note depending on the lighting, positioning and surroundings of your room, the shade of the colour can sometimes appear slightly different. Over a period of time the colour might lighten or fade slightly due to light exposure.

#### Product Care

To clean, slightly moisten cloth with water and wipe surfaces. A damp cloth holds dust and prevents damage. Repeat with a dry, soft, lint-free cloth. Do not use abrasives or cleaning products which may contain ammonia or solvents.

#### Number of people required to assemble

Two people to assemble the product and two people to lift in to position.



#### Time to assemble



30 minutes

#### Necessary tools



#### Anti-tip safety kit

We recommend using the supplied kit to attach all draws and wardrobes to the wall to avoid any risk of tipping in use.

Please ensure the correct wall fixing for your wall (not supplied).

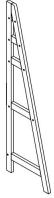
#### Missing parts or faulty products

If you are missing any fixtures or fittings during assembly, or a part is unfortunately faulty please call our customer service team on 01243 380600.

# feather&black

## Saunders Desk

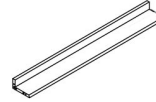
### Components supplied (not actual size)



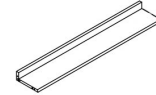
A: Left Side Leg Frame  
Quantity: 1 pc  
Box: 1



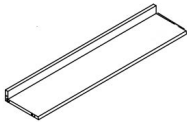
B: Right Side Leg Frame  
Quantity: 1 pc  
Box: 1



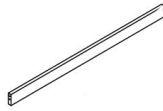
C: Top Shelf  
Quantity: 1 pc  
Box: 2



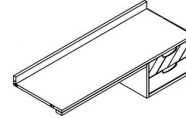
D: Middle Shelf  
Quantity: 1 pc  
Box: 2



E: Lower Shelf  
Quantity: 1 pc  
Box: 2

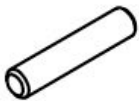


F: Lower Leg Support Bar  
Quantity: 1 pc  
Box: 2



G: Desk Top / Drawer  
Quantity: 1 pc  
Box: 2

### Fixture and fittings supplied (not actual size)



H: Wooden Dowels  
Ø8X40mm  
Quantity: 18 pcs  
Box: 1



I: Bolt  
M6 x 50mm  
Quantity: 18 pcs  
Box: 1



J: Metal Washer  
Ø6/Ø14mm  
Quantity: 18 pcs  
Box: 1



K: Spring Washer  
Ø8/Ø14mm  
Quantity: 20 pcs  
Box: 1



L: Bolt  
M6 x 40mm  
Quantity: 2 pcs  
Box: 1



M: Metal Washer  
Ø8/Ø18mm  
Quantity: 2 pcs  
Box: 1

Please note these are coloured gold



N: Allen Key  
Quantity: 1 pc  
Box: 1



O: Fabric Anti-Tip Straps + Furniture Screws  
Quantity: 2 pcs  
Box: 1

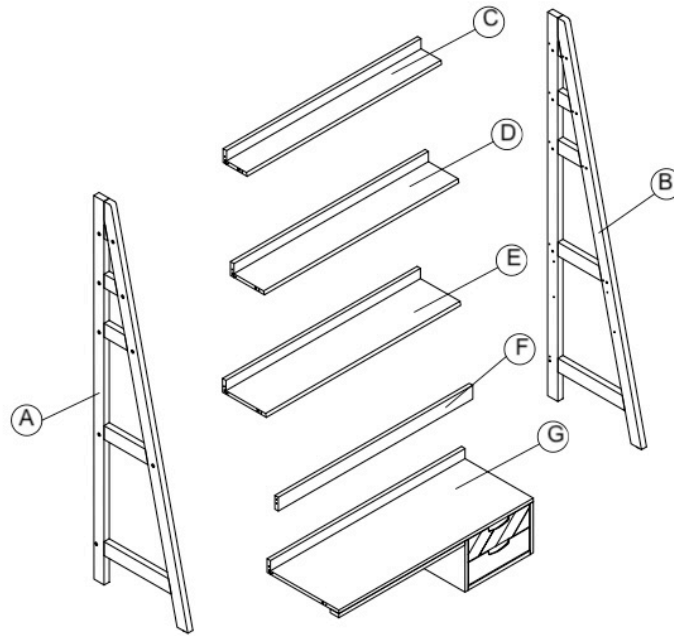
Please note 18 of these are black and 2 are gold

Please note these are coloured gold

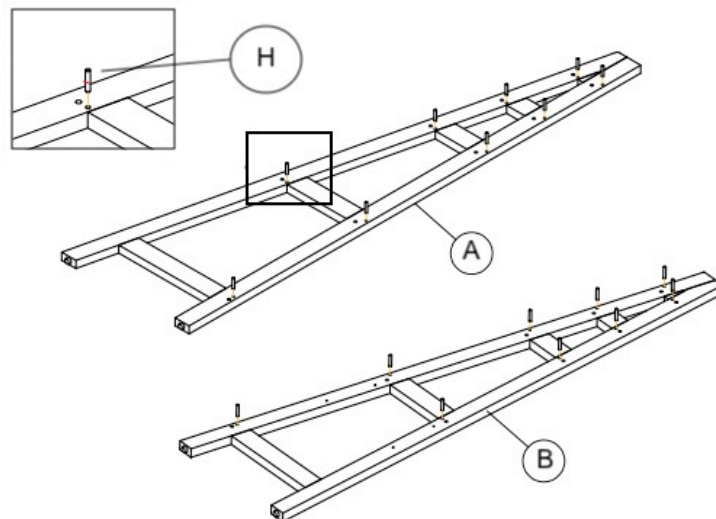
# feather&black

## Saunders Desk

1. Layout all parts in assembly position on the floor.

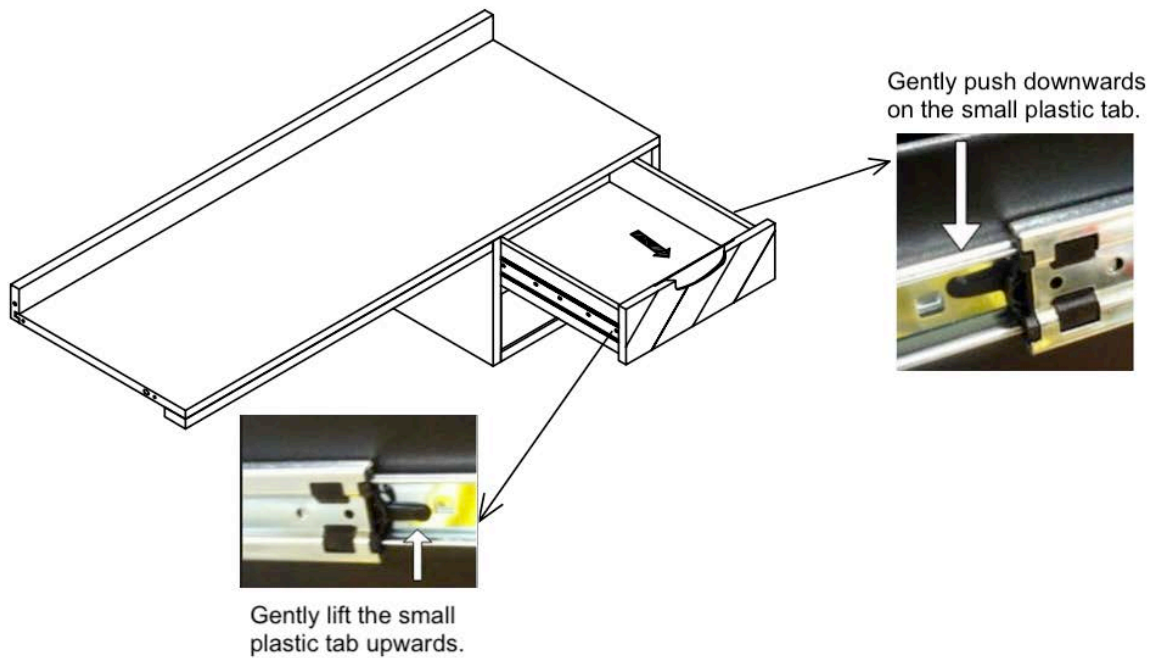


2. Insert Wooden Dowels (H) into holes on inner sides of Left and Right Side Leg Frames (A) and (B).



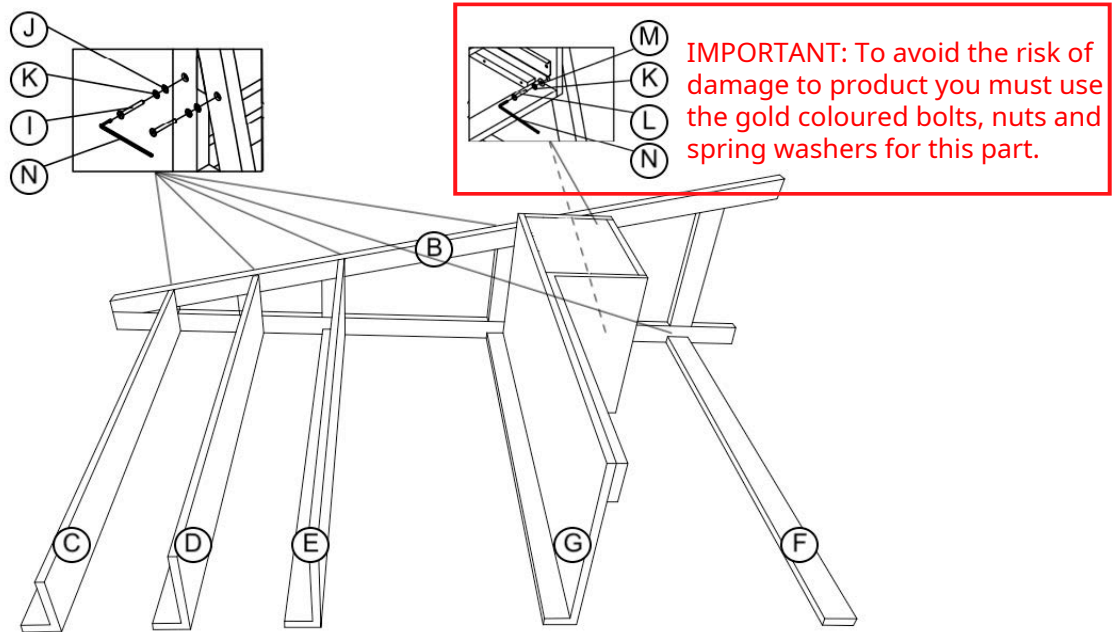
## Saunders Desk

3. Remove the drawer by pulling it gently towards you whilst pressing the release catches as shown in the diagram.

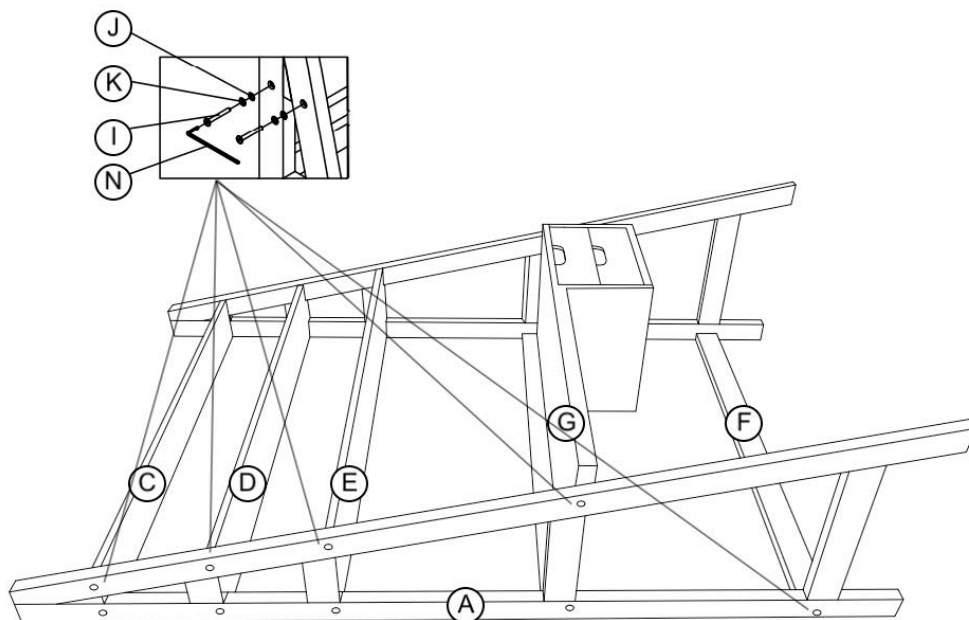


## Saunders Desk

4. Starting with the Right Side Leg Frame (B) attach all Shelves (C), (D) and (E), the Lower Desk Support Bar (F) and the Desk Top / Drawer (G). Tighten all Bolts with Allen Key (N).



5. Attach the Left Side Leg Frame (A) to the other sides of the Shelves, Desk Back Strip and the Desk Top / Drawer. Tighten all Bolts with Allen Key (N).





# feather&black

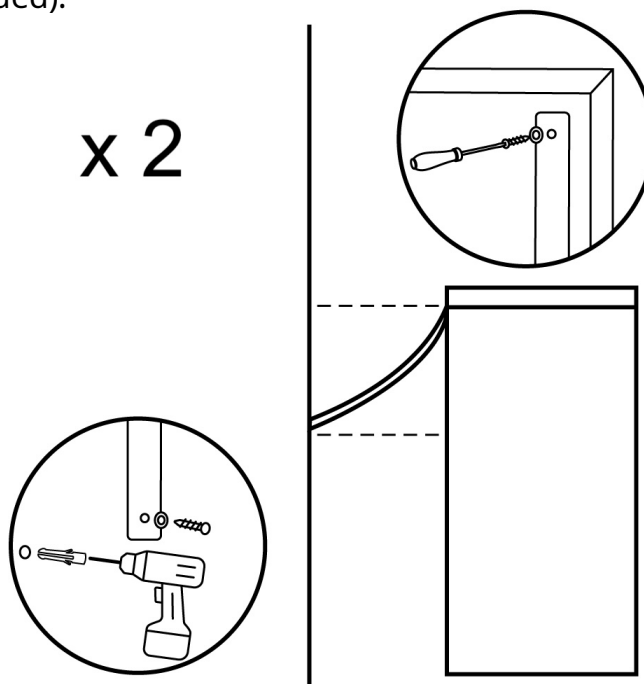
## Saunders Desk

6. Using 2 people lift the assembled unit onto its feet.



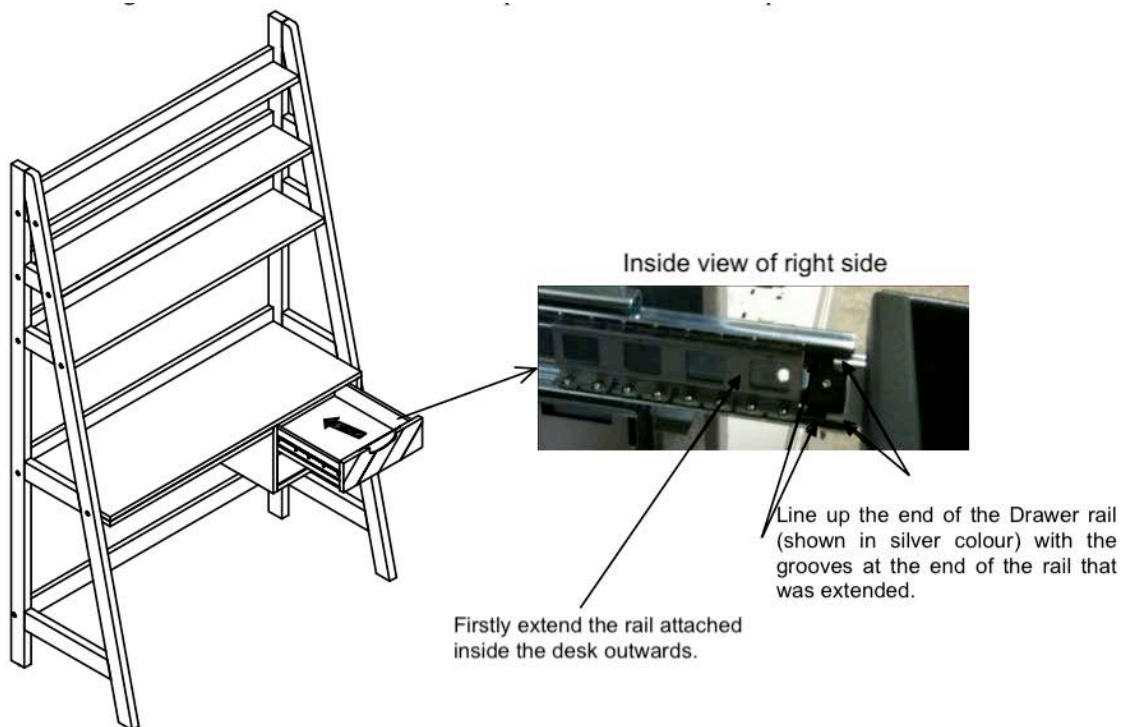
7. Screw the 2 X Fabric Anti-Tip Straps (O) to the back of the assembled unit into the pre-drilled holes using the screws provided. Attach the other side of the Anti-Tip Straps to the Wall.  
(Wall fixing not provided).

x 2



## Saunders Desk

8. Insert the drawer by aligning the rails and guides as shown in the diagram and pushing the drawer gently closed.



feather&black

[featherandblack.com](http://featherandblack.com)